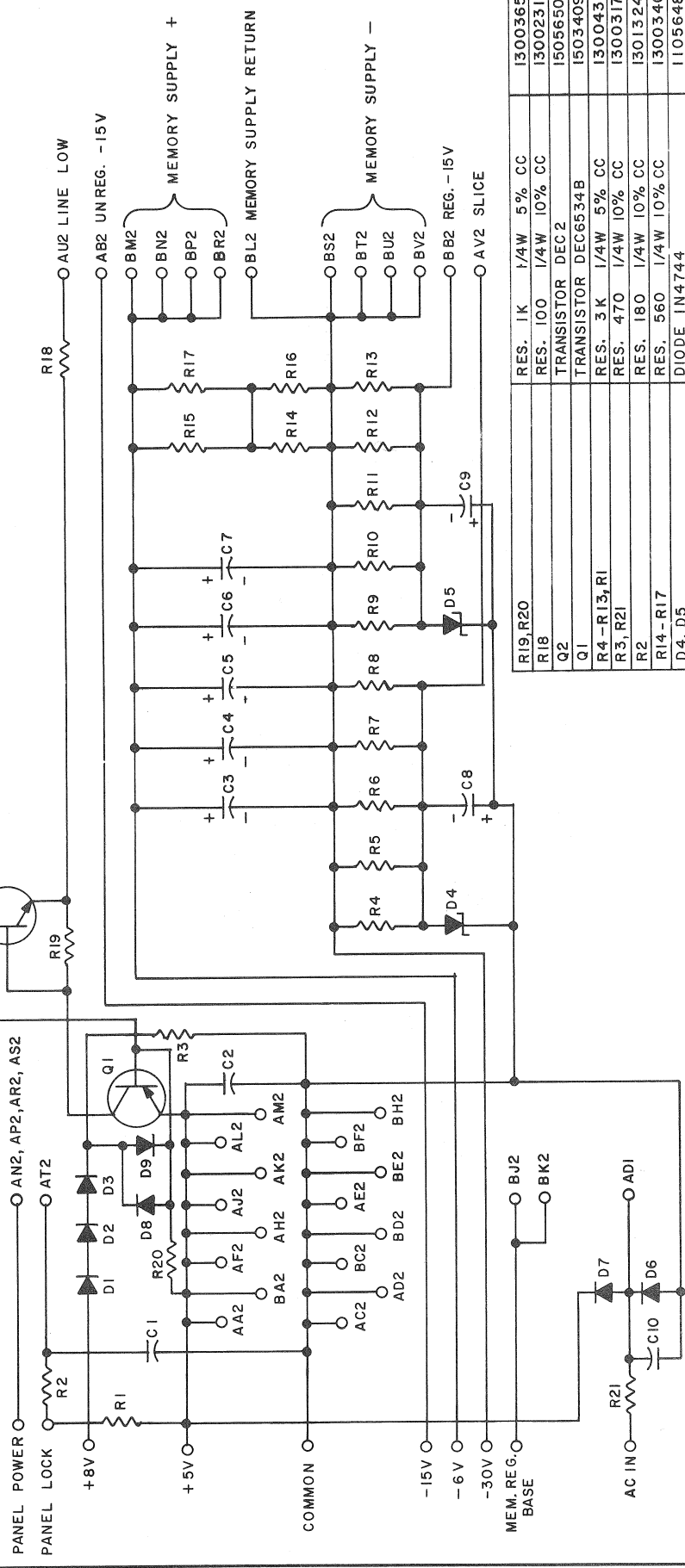


REV. NUMBER G785-0-1 SIZE CODE B CS

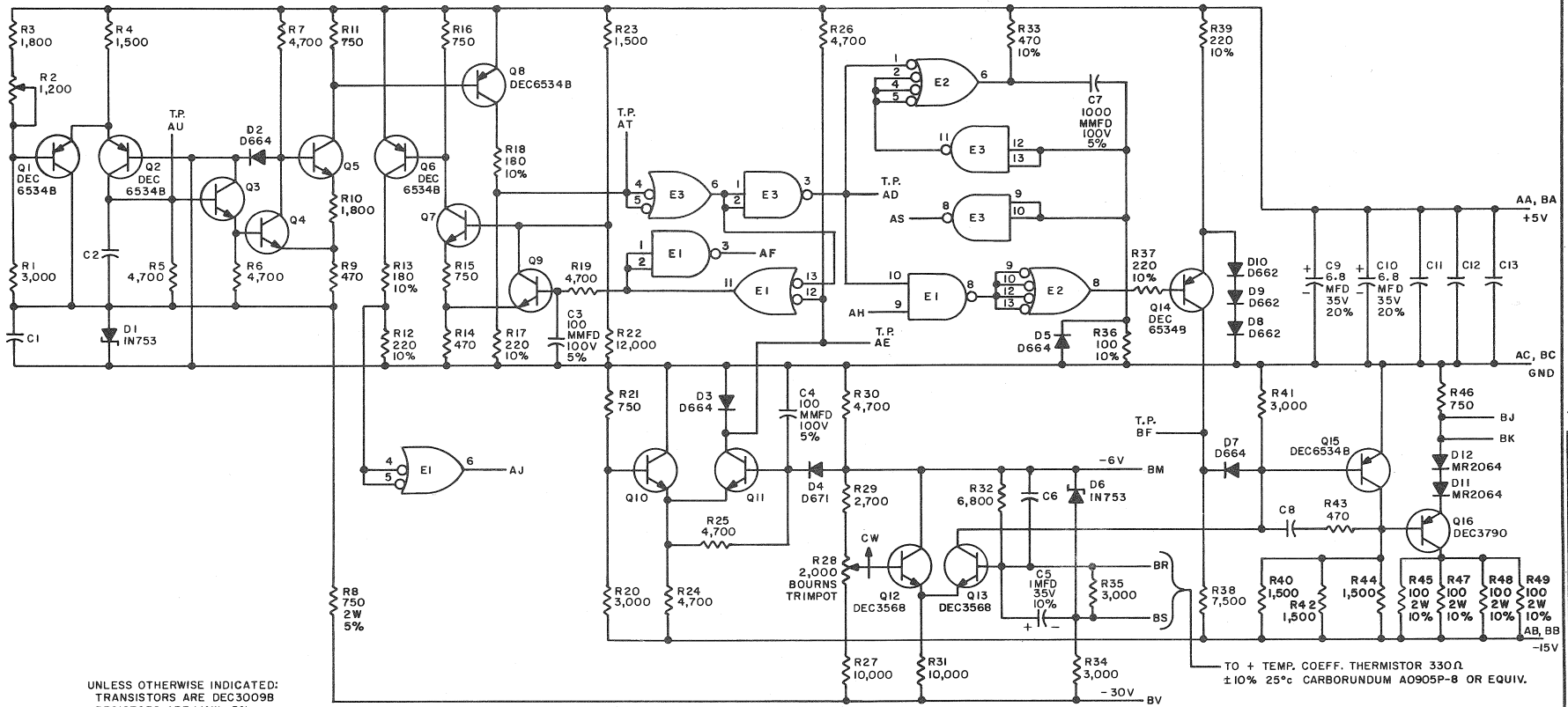
THIS SCHEMATIC IS FURNISHED ONLY FOR TEST AND MAINTENANCE PURPOSES. THE CIRCUITS ARE PROPRIETARY IN NATURE AND SHOULD BE TREATED ACCORDINGLY. COPYRIGHT 1968 BY DIGITAL EQUIPMENT CORPORATION



R19, R20	RES. 1K	1/4W	5% CC	1300365
R18	RES. 100	1/4W	10% CC	1300231
Q2	TRANSISTOR	DEC 2		1505650
Q1	TRANSISTOR	DEC6534B		1503409-01
R4-R13, R1	RES. 3K	1/4W	5% CC	1300432
R3, R21	RES. 470	1/4W	10% CC	1300317
R2	RES. 180	1/4W	10% CC	1301324
R14-R17	RES. 560	1/4W	10% CC	1300340
D4, D5	DIODE	IN4744		1105648
D1-D3, D6-D9	DIODE	D664		1100114
C3-C9	CAP. 20MFD	50V	-10+75% ELECT	1002839
C1, C2, C10	CAP. 01MFD	100V	20% DISC	1001610
PARTS LIST				A-PL-6785-0-0
REFERENCE DESIGNATION				PART NO.
PARTS LIST				

TITLE		POWER CONNECTOR G785	
TRANSISTOR & DIODE CONVERSION CHART			
DEC	EIA	DEC	EIA
D664	IN3606		
IN4744	SAME		
DEC6534B	MP5534		
DEC2	NONE		
DRN.	DATE	8-21-68	
CHKD.	DATE	8-21-68	
ENG.	DATE	8-14-68	
PROD.	DATE		
REVISIONS		PARTS LIST	
CHK	CHG NO.	REV.	
DIST: 1324		434	
PINK		435	

THIS SCHEMATIC IS FURNISHED ONLY FOR TEST AND MAINTENANCE PURPOSES. THE CIRCUITS ARE PROPRIETARY IN NATURE AND SHOULD BE TREATED ACCORDINGLY. COPYRIGHT 1967 BY DIGITAL EQUIPMENT CORPORATION



UNLESS OTHERWISE INDICATED:
 TRANSISTORS ARE DEC3009B
 RESISTORS ARE 1/4W, 5%
 CAPACITORS ARE .01 MFD
 E1 & E3 ARE DEC7400N
 E2 IS DEC7440N
 PIN 7 ON EACH IC = GND
 PIN 14 ON EACH IC = +5V
 R2 IS POT CODE #13-05778-3

PARTS LIST A-PL-G826-0-0

REVISIONS	CHK	CHG NO.	REV.
		8923	E

DRN.	M. Waller	DATE	5-10-67
CHK'D		DATE	5/21/67
PRD.		DATE	5/25/67
PROJ.		DATE	

TRANSISTOR & DIODE CONVERSION CHART			
DEC		EIA	
DEC3009B	2N3009	D664	IN3606
DEC3568	2N3568	D671	IN3653
DEC6534B	MP65534		
DEC3790	2N3790	IN 753	SAME
D662	IN645	MR2064	IN4001

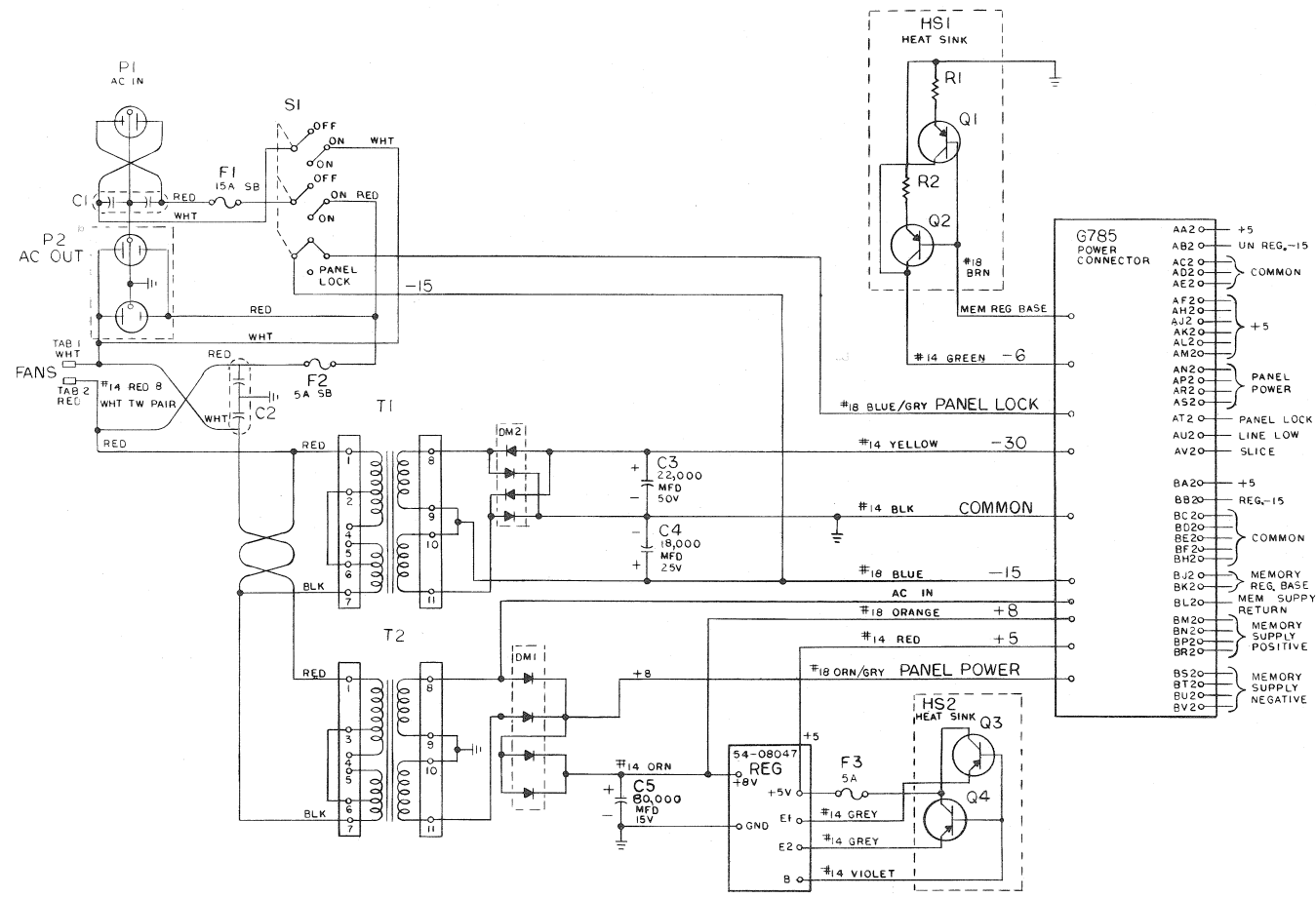
digital
 EQUIPMENT CORPORATION
 MAYNARD, MASSACHUSETTS

TITLE			
REGULATOR CONTROL G826			
SIZE	CODE	NUMBER	REV.
C	CS	G826-0-1	E
PRINTED CIRCUIT REV.			

DEC FORM NO. DRC 102

DIST. 314 434/855 PINK

THIS SCHEMATIC IS FURNISHED ONLY FOR TEST AND MAINTENANCE PURPOSES. THE CIRCUITS ARE PROPRIETARY IN NATURE AND SHOULD BE TREATED ACCORDINGLY. COPYRIGHT © 68 BY DIGITAL EQUIPMENT CORPORATION



QTY	DESCRIPTION	PART NO.	REV. NO.
1	JUNCTION TERM BUSHING RED	90-07231	TAB 2
1	JUNCTION TERM BUSHING WHITE	90-07235	TAB 1
2	HEAT SINK WAKEFIELD NC403AA	12-091091	HS1
2	TRANSISTOR 2N4399	15-05870	Q3,4
2	CAP BRACKET	12-01406	C3,5
2	RESISTOR 17L 2W 5%	15-05428	R1,2
2	TRANSISTOR 2N3790	15-05359	Q1,2
1	CAP BRACKET SPRAGUE CMC 32	12-09242	Q4
3	FUSEHOLDER BUSS	12-04707	F1,3,5
1	FUSE 5A 5B 3AG	90-07224	F1
1	FUSE 5A 3AG	90-07224	F3
1	FUSE 15A 5B 3AG	50-02227	F2
1	+5V REGULATOR	54-08047	REG
1	POWER CONNECTOR	7885	PI
1	POWER RECEPTACLE FEMALE DBL	12-5351	PI
1	POWER RECEPTACLE MALE	12-5352	PI
1	KEY SWITCH	12-09238	SI
2	TRANSFORMER STANCOR RT-204	12-9215	T1,2
2	CAPACITOR BATHTUB 2 X 1MFD50VDC	10-02153	C1,2
1	CAPACITOR 22 000MFD 50VDC	10-02159	C3
1	CAPACITOR 18 000MFD 25VDC	10-09185	C4
1	CAPACITOR 80 000MFD 15VDC	10-03180	C5
1	DIODE RECTIFIER	11-0533	DM2
1	DIODE RECTIFIER	11-02933	DM1

FIRST USED ON OPTION/ MODEL	QTY	DESCRIPTION	PART NO.	REV. NO.
PDP8-L				

DESIGNED BY	DATE	TRANSISTOR & DIODE CONVERSION CHART	TITLE
C. D. ...	7/22/68	DEC EIA	718 POWER SUPPLY
...	...	DEC EIA	EQUIPMENT CORPORATION
...	MASSACHUSETTS