

BASF

6106/6108 LSI

Part N° 80307-050

| REVISION | RECORD OF REVISION | REMARKS |
|----------|--------------------|-----------------------|
| 01 | LSI/K | valid for LSI-version |

1
1
1
1

LIST OF CONTENTS

| SECTION | PAGE |
|--|--------|
| I. INTRODUCTION | 1 - 1 |
| 1.1. General | 1 - 3 |
| 1.2. Related documentation | 1 - 3 |
| 1.3. Description | 1 - 3 |
| 1.4. Specification summary | 1 - 4 |
| 1.5. Options summary | 1 - 6 |
| 1.6. Recording media | 1 - 7 |
| 1.7. Recording formats | 1 - 7 |
| 1.7.1. FM-encoding | 1 - 7 |
| 1.7.2. MFM-encoding | 1 - 7 |
| 1.8. Track format | 1 - 8 |
| 1.8.1. Soft sectored track formats | 1 - 8 |
| 1.8.1.1. Soft sectored track format for single density | 1 - 8 |
| 1.8.1.2. Soft sectored track format for double density | 1 - 11 |
| 1.8.1.3. Soft sectored format for double density | 1 - 12 |
| II. THEORY OF OPERATION | 2 - 1 |
| 2.1. General | 2 - 3 |
| 2.2. Functional description | 2 - 3 |
| 2.2.1. Drive mechanism | 2 - 3 |
| 2.2.2. Spindle and front door mechanism | 2 - 3 |
| 2.2.3. Positioning mechanism | 2 - 4 |
| 2.2.4. Head load mechanism | 2 - 5 |
| 2.3. Drive electronic description | 2 - 8 |
| 2.3.1. Block diagram | 2 - 8 |
| 2.3.2. Large scale integrated circuit BASF 81041-001 | 2 - 8 |
| 2.3.3. Input interface | 2 - 9 |
| 2.3.3.1. Input signals definitions and termination | 2 - 9 |
| 2.3.3.2. Select options | 2 - 9 |
| 2.3.3.3. Head load options | 2 - 10 |
| 2.3.4. Output interface | 2 - 11 |
| 2.3.5. Stepper motor logic | 2 - 12 |
| 2.3.6. Drive motor logic | 2 - 14 |
| 2.3.6.1. Temporary motor on logic | 2 - 14 |
| 2.3.6.2. Drive motor control | 2 - 15 |

| | |
|--|--------|
| 2.3.7. Head load logic | 2 - 16 |
| 2.3.8. Activity LED / door lock logic | 2 - 17 |
| 2.3.8.1. Door lock latch option | 2 - 17 |
| 2.3.8.2. Door lock options | 2 - 18 |
| 2.3.8.3. Activity indicator options | 2 - 18 |
| 2.3.9. Track zero detector | 2 - 19 |
| 2.3.10. Index detector, sector separator and ready monitor | 2 - 20 |
| 2.3.10.1. Index detector | 2 - 20 |
| 2.3.10.2. Sector separator | 2 - 21 |
| 2.3.10.3. Ready detection | 2 - 22 |
| 2.3.11. Disk change option | 2 - 23 |
| 2.3.12. Side select logic | 2 - 24 |
| 2.3.13. Read/write heads | 2 - 25 |
| 2.3.14. Write circuits | 2 - 26 |
| 2.3.14.1. Write initiate | 2 - 26 |
| 2.3.14.2. Write logic | 2 - 26 |
| 2.3.14.3. Erase delay logic | 2 - 28 |
| 2.3.14.4. Write protect detector | 2 - 29 |
| 2.3.15. Read circuits | 2 - 30 |
| 2.3.15.1. Read initiate and read block diagram | 2 - 30 |
| 2.3.15.2. Read/write select | 2 - 31 |
| 2.3.15.3. Read amplifiers and filter network | 2 - 31 |
| 2.3.15.4. Active differentiator and comparator | 2 - 32 |
| 2.3.15.5. Time domain filter and crossover detector | 2 - 32 |
| 2.3.15.6. Timing diagram and read circuits | 2 - 33 |
| 2.3.16. DC-control | 2 - 34 |

III. INSTALLATION AND OPERATION

| | |
|---|-------|
| III. INSTALLATION AND OPERATION | 3 - 1 |
| 3.1. Installation | 3 - 3 |
| 3.1.1. General | 3 - 3 |
| 3.1.2. Unpacking and inspection | 3 - 3 |
| 3.1.3. Connecting cables | 3 - 4 |
| 3.1.4. Connectors | 3 - 4 |
| 3.1.4.1. DC-connector | 3 - 4 |
| 3.1.4.2. Signal connector | 3 - 4 |
| 3.1.4.3. Frame connector | 3 - 4 |
| 3.1.4.4. Interconnecting diagram | 3 - 4 |
| 3.1.5. Logic levels and termination | 3 - 6 |
| 3.1.6. Connecting configuration | 3 - 6 |
| 3.1.6.1. Single drive configuration | 3 - 6 |
| 3.1.6.2. Multiple drive configuration | 3 - 6 |
| 3.1.7. Selection of the desired options | 3 - 8 |
| 3.1.7.1. Select options | 3 - 8 |
| 3.1.7.2. Head load options | 3 - 8 |
| 3.1.7.3. In use / disk change option | 3 - 8 |
| 3.1.7.4. Door lock options | 3 - 8 |
| 3.1.7.5. Activity led options | 3 - 9 |
| 3.1.7.6. Write protect options | 3 - 9 |

| | |
|---|--------|
| 3.1.7.7. Stepper motor switching | 3 - 9 |
| 3.1.7.8. Hard sector option | 3 - 9 |
| 3.1.7.9. Jumper matrix | 3 - 10 |
| 3.1.8. Drive mounting | 3 - 12 |
| 3.1.8.1. Mounting positions | 3 - 12 |
| 3.1.8.2. Mounting dimensions | 3 - 12 |
| 3.2. Operation | 3 - 13 |
| 3.2.1. General | 3 - 13 |
| 3.2.2. Mini disk storage and handling | 3 - 13 |
| 3.2.3. Write protect | 3 - 14 |
| 3.2.3.1. Write protect if notch open | 3 - 14 |
| 3.2.3.2. Write protect if notch covered | 3 - 14 |
| | |
| IV. MAINTENANCE | 4 - 3 |
| 4.1. General | 4 - 3 |
| 4.2. Tools and test equipment | 4 - 3 |
| 4.3. Read/write heads cleaning | 4 - 3 |
| 4.4. Checks, adjustments and replacements | 4 - 4 |
| 4.4.1. PCB replacement | 4 - 4 |
| 4.4.2. Spindle drive system | 4 - 4 |
| 4.4.2.1. Drive motor and drive belt checks | 4 - 4 |
| 4.4.2.2. Drive belt tension check | 4 - 4 |
| 4.4.2.3. Drive belt replacement and tension adjustment | 4 - 5 |
| 4.4.2.4. Drive motor speed check | 4 - 5 |
| 4.4.2.5. Drive motor speed adjustment | 4 - 5 |
| 4.4.2.6. Drive motor speed adjustment using a frequency counter | 4 - 6 |
| 4.4.2.7. Drive motor replacement | 4 - 6 |
| 4.4.3. Positioning system | 4 - 7 |
| 4.4.3.1. Track adjustment check | 4 - 7 |
| 4.4.3.2. Track adjustment procedure | 4 - 8 |
| 4.4.3.3. Adjustment check for optical track zero switch | 4 - 9 |
| 4.4.3.4. Adjustment for optical track zero switch | 4 - 9 |
| 4.4.3.5. Track zero switch replacement | 4 - 10 |
| 4.4.3.6. Head carriage replacement | 4 - 11 |
| 4.4.3.7. Head load replacement | 4 - 11 |
| 4.4.4. Head load mechanism | 4 - 12 |
| 4.4.4.1. Head load soneloid replacement | 4 - 12 |
| 4.4.4.2. Head load actuator check | 4 - 12 |
| 4.4.5. Read/write electronics | 4 - 13 |
| 4.4.5.1. Jitter check and adjustment | 4 - 13 |
| 4.4.5.2. Read amplitude check | 4 - 13 |
| 4.4.6. Photo transistor and LEDs | 4 - 14 |
| 4.4.6.1. Photo transistor replacement | 4 - 14 |
| 4.4.6.2. LED replacement | 4 - 14 |
| 4.4.6.3. Index detector adjustment check | 4 - 14 |
| 4.4.6.4. Index detector adjustment | 4 - 15 |
| 4.5. Location of testpoints, ICs, potentiometers and connectors | 4 - 16 |

LIST OF ILLUSTRATIONS

| FIGURE | PAGE |
|--|--------------|
| 1 - 1 : Model BASF 6106/6108 mini disk drive | 1 - 3 |
| 1 - 2 : Flexible disk construction and dimensions | 1 - 7 |
| 1 - 3 : FM-encoding | 1 - 7 |
| 1 - 4 : MFM-encoding | 1 - 7 |
| 1 - 5 : Address mark patterns | 1 - 8 |
| 1 - 6 : Soft sectored track format with 16 sectors/track for single density (FM) | 1 - 9 |
| 1 - 7 : Simplified shift register | 1 - 10 |
| 1 - 8 : Soft sectored track format with 9 sectors/track | 1 - 11 |
| 1 - 9 : Soft sectored track format for double density (MFM) | 1 - 12 |
| | |
| 2 - 1 : Spindle and front door mechanism | 2 - 3 |
| 2 - 2 : Positioning mechanism BASF 6106 | 2 - 4 |
| 2 - 3 : Positioning mechanism BASF 6108 | 2 - 4 |
| 2 - 4 : Head load mechanism BASF 6106 | 2 - 5 |
| 2 - 5 : Head load mechanism BASF 6108 | 2 - 5 |
| 2 - 6 : Block diagram | 2 - 6, 2 - 7 |
| 2 - 7 : Pin assignments BASF LSI-chip 81041-001 | 2 - 8 |
| 2 - 8 : Auto select option | 2 - 9 |
| 2 - 9 : Radial select option | 2 - 9 |
| 2 - 10 : Auto head load option | 2 - 10 |
| 2 - 11 : Selected head load option | 2 - 10 |
| 2 - 12 : Radial head load option | 2 - 10 |
| 2 - 13 : Stepper motor logic | 2 - 13 |
| 2 - 14 : Stepper motor - timing diagram | 2 - 13 |
| 2 - 15 : Temporary motor on logic | 2 - 14 |
| 2 - 16 : Timing diagram temporary motor on logic | 2 - 14 |
| 2 - 17 : Drive motor control | 2 - 15 |
| 2 - 18 : Head load logic | 2 - 16 |
| 2 - 19 : Head load timing diagram | 2 - 16 |
| 2 - 20 : Activity LED / door lock logic | 2 - 17 |
| 2 - 21 : Timing diagram door lock latch option | 2 - 17 |
| 2 - 22 : Track zero detector | 2 - 19 |
| 2 - 23 : Track zero - timing diagram | 2 - 19 |
| 2 - 24 : Index detector | 2 - 20 |
| 2 - 25 : Sector separator | 2 - 21 |
| 2 - 26 : Timing diagram index / sector separator | 2 - 21 |
| 2 - 27 : Ready detector | 2 - 22 |

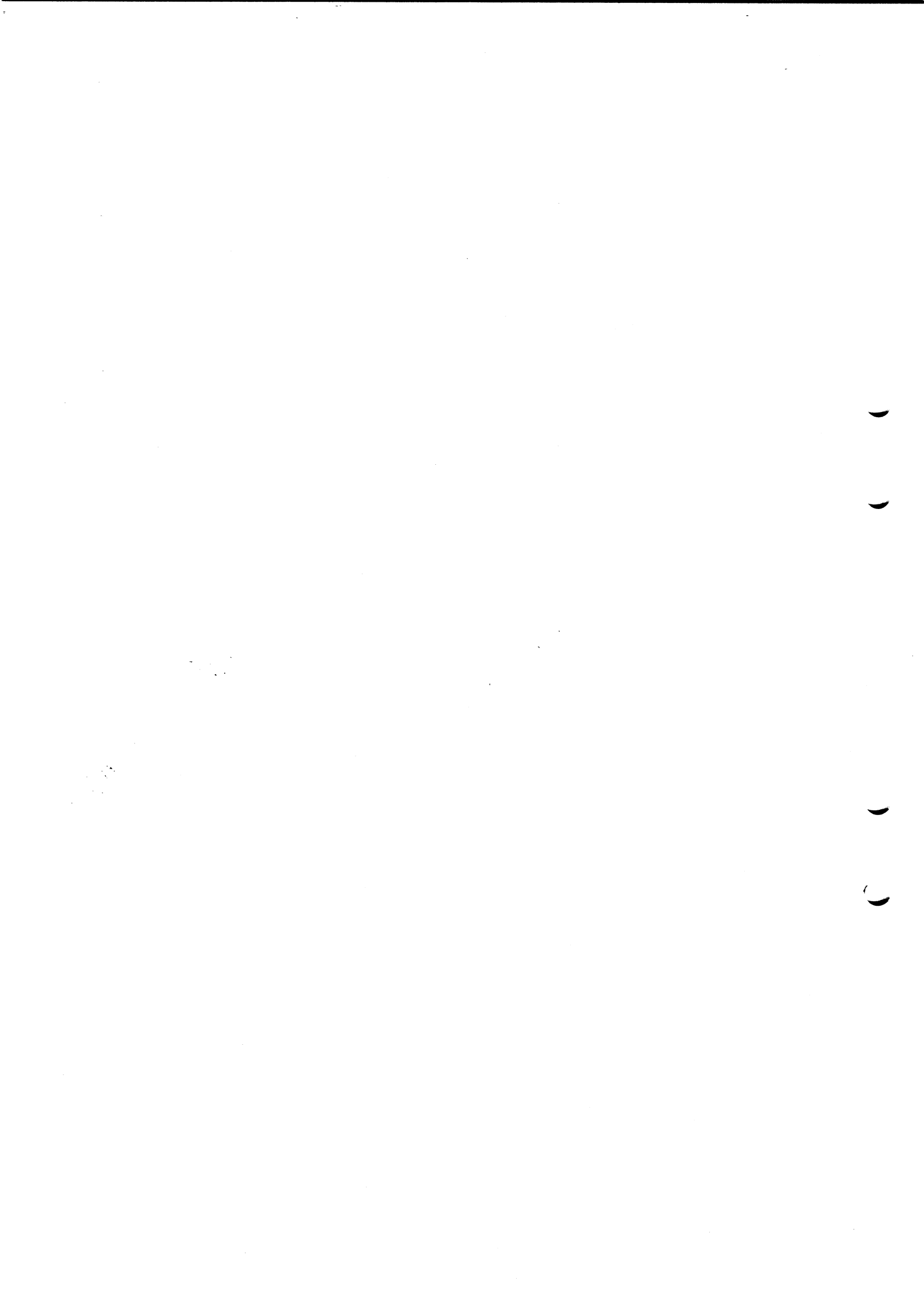
Page V - List of illustrations (continued)

| | |
|---|--------|
| 2 - 28 : Ready timing | 2 - 22 |
| 2 - 29 : Disk change logic | 2 - 23 |
| 2 - 30 : Timing diagram disk change logic | 2 - 23 |
| 2 - 31 : Side select logic | 2 - 24 |
| 2 - 32 : Track geometry | 2 - 25 |
| 2 - 33 : Electrical connection of the read/write head | 2 - 25 |
| 2 - 34 : Write initiate timing | 2 - 26 |
| 2 - 35 : Simplified write circuits BASF 6106/6108 | 2 - 27 |
| 2 - 36 : Timing diagram - write operation FM (simplified) | 2 - 27 |
| 2 - 37 : Erase delay logic | 2 - 28 |
| 2 - 38 : Erase delay timing | 2 - 28 |
| 2 - 39 : Write protect detector | 2 - 29 |
| 2 - 40 : Read circuits BASF 6106/6108 (simplified) | 2 - 30 |
| 2 - 41 : Read initiate timing | 2 - 30 |
| 2 - 42 : Read/write select logic | 2 - 31 |
| 2 - 43 : Read preamplifier and filter network | 2 - 31 |
| 2 - 44 : Active differentiator and comparator | 2 - 32 |
| 2 - 45 : Time domain filter and crossover detector | 2 - 33 |
| 2 - 46 : Timing diagram read circuits | 2 - 33 |
| 2 - 47 : DC-control logic | 2 - 34 |
| | |
| 3 - 1 : Drive equipped with shipping protection | 3 - 3 |
| 3 - 2 : DC-connector | 3 - 4 |
| 3 - 3 : Interconnecting diagram | 3 - 5 |
| 3 - 4 : Interface logic levels | 3 - 6 |
| 3 - 5 : Recommended driver / receiver circuit | 3 - 6 |
| 3 - 6 : Single drive configuration | 3 - 6 |
| 3 - 7 : Radial select configuration | 3 - 7 |
| 3 - 8 : Daisy chain select configuration | 3 - 7 |
| 3 - 9 : Part locations (principal) | 3 - 11 |
| 3 - 10 : Mounting specification | 3 - 12 |
| 3 - 11 : Flexy disk loading | 3 - 13 |
| 3 - 12 : Write protect feature (ECMA) | 3 - 14 |
| 3 - 13 : Write protect feature (SHUGART) | 3 - 14 |

L I S T O F T A B L E S

| TABLE | PAGE |
|--|--------------|
| 1 - 1 : Specification summary | 1 - 4, 1 - 5 |
| 1 - 2 : Factory installed option | 1 - 6 |
| 1 - 3 : Jumper selectable options | 1 - 6 |
| | |
| 2 - 1 : Input signals | 2 - 9 |
| 2 - 2 : Output signals | 2 - 11 |
| 2 - 3 : Sequence of the stepper motor signals | 2 - 12 |
| | |
| 3 - 1 : DC-power requirements | 3 - 4 |
| 3 - 2 : Recommended J1 mating connectors | 3 - 4 |
| 3 - 3 : Select options jumpering | 3 - 8 |
| 3 - 4 : Head load option jumpering | 3 - 8 |
| 3 - 5 : In use / disk change option jumpering | 3 - 8 |
| 3 - 6 : Door lock options jumpering | 3 - 8 |
| 3 - 7 : Activity LED option jumpering | 3 - 9 |
| 3 - 8 : Write protect option jumpering | 3 - 9 |
| 3 - 9 : Stepper motor switching option jumpering | 3 - 9 |
| 3 - 10 : Hard sector option jumpering | 3 - 9 |
| 3 - 11 : Option jumper matrix | 3 - 10 |
| 3 - 12 : Flexy disk loading | 3 - 13 |
| 3 - 13 : Flexy disk unloading | 3 - 13 |
| | |
| 4 - 1 : Standard tools and test equipment | 4 - 3 |
| 4 - 2 : Special tools and test equipment | 4 - 3 |

**SECTION I.
INTRODUCTION**



1.1. GENERAL

This manual contains descriptive material and procedures useful in installation, operation, maintenance and repair of the BASF Mini Disk Drive Models BASF 6106 and BASF 6108.

1.2. RELATED DOCUMENTATION

Product- and Interface Specification :
BASF 6106/08 : 80 307-046

1.3. DESCRIPTION

The models BASF 6106 and BASF 6108 are very compact random access data storage units, which utilize a 5.25" Flexy Disk as storage medium. The BASF 6106 stores data on one side of the Flexy Disk, the BASF 6108 on both sides.

The Flexy Disk is rotated at 300 RPM yielding a data transfer rate of 125.000 bits per second in single density, and twice as much in double density.

Data capacity on all 40 tracks varies from 81.92 kbytes (BASF 6106, 16 sectors at 128

bytes) to 368.64 kbytes, so increasing capacity more than four times by using the BASF 6108 with 9 sectors of 512 bytes each.

The Mini Disk Drives are equipped with a DC-controlled spindle drive motor, thus no AC-power is needed. Ceramic read/write heads with tunnel erase are used within the BASF 6106/6108 to ensure reliable data recording.

The heads are positioned with a fourphase DC-stepper motor actuator, utilizing a spiral wheel which provides precise location of the read/write head or heads on the track.

In the electronic, a large scale integrated circuit (LSI) in NMOS technique is used, which contains most of the digital control logic of the drive. The LSI increases the reliability of the electronic and decreases the repair time.

Applications for both types of mini disk drives comprise word processing and text editing systems, program storage for mini and micro computers, "intelligent" desktop calculators and the hobby micro computer market.

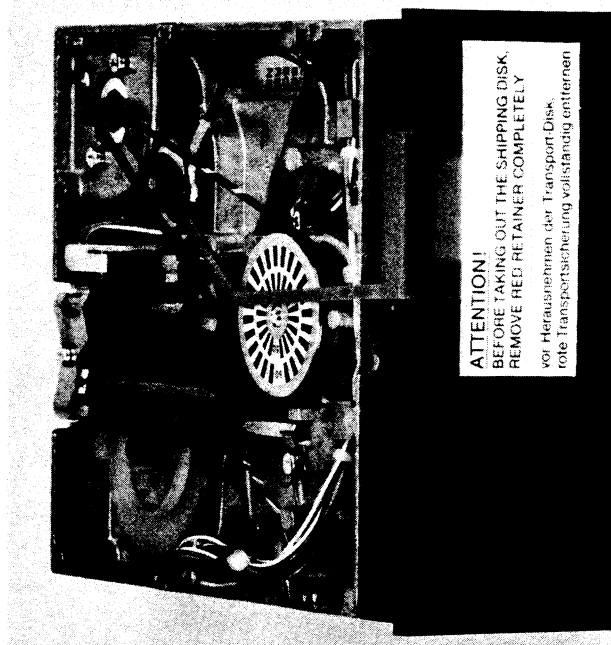


FIGURE 1 - 1 : MODEL BASF 6106/6108 MINI DISK DRIVE

1.4 SPECIFICATION SUMMARY

A comprehensive list of principal specifications for model BASF 6106 and model BASF 6108 is provided in table 1 - 1.

| PERFORMANCE SPECIFICATIONS | | | | |
|--------------------------------------|----------------------------|-----------------------------|----------------------------|-----------------------------|
| CAPACITY | BASF 6106 (single sided) | | BASF 6108 (double sided) | |
| | Single Density | Double Density | Single Density | Double Density |
| Unformatted | | | | |
| per Disk | 125 Kbytes | 250 Kbytes | 250 Kbytes | 500 Kbytes |
| per Surface | 125 Kbytes | 250 Kbytes | 125 Kbytes | 250 Kbytes |
| per Track | 3.125 Kbytes | 6.250 Kbytes | 3.125 Kbytes | 6.25 Kbytes |
| Formatted (16 Sectors/Track) | | | | |
| per Disk | 81.920 Kbytes | 163.840 Kbytes | 163.840 Kbytes | 327.680 Kbytes |
| per Surface | 81.920 Kbytes | 163.840 Kbytes | 81.920 Kbytes | 163.840 Kbytes |
| per Track | 2.048 Kbytes | 4.096 Kbytes | 2.048 Kbytes | 4.096 Kbytes |
| per Sector | 128 bytes | 256 bytes | 128 bytes | 256 bytes |
| TRANSFER RATE | 125 Kbits/s | 250 Kbits/s | 125 Kbits/s | 250 Kbits/s |
| LATENCY | | | | |
| Maximum | 200 ms | | | |
| Average | 100 ms | | | |
| ACCESS TIME | | | | |
| Track to track positioning | 12 ms | | | |
| Average | 240 ms | | | |
| Settling Time | max. 48 ms | | | |
| Head Load Time | max. 35 ms | | | |
| Drive Motor Start Time | max. 650 ms | | | |
| FUNCTIONAL SPECIFICATIONS | | | | |
| | BASF 6106 | | BASF 6108 | |
| | Single Density | Double Density | Single Density | Double Density |
| Rotational Speed | 300 RPM \pm 2,5 % | 300 RPM \pm 2,5 % | 300 RPM \pm 2,5 % | 300 RPM \pm 2,5 % |
| Recording Density (inside Track) | 3979 BPRAD (2768 BPI) | 7958 BPRAD (5536 BPI) | 3979 BPRAD (2768 BPI) | 7958 BPRAD (5536 BPI) |
| Flux Density | 7958 FTPRAD (5536 FCI) | 7958 FTPRAD (5536 FCI) | 7958 FTPRAD (5536 FCI) | 7958 FTPRAD (5536 FCI) |
| Track Density | 48 TPI | 48 TPI | 48 TPI | 48 TPI |
| Track Radius | | | | |
| Track 00 | 57,15 mm | 57,15 mm | 55,03 mm ^{+))} | 55,03 mm ^{+))} |
| Track 39 | 36.5125 mm | 36.5125 mm | 34.3958 mm ^{+))} | 34.3958 mm ^{+))} |
| Encoding Method | FM | MFM | FM | MFM |
| Media Requirements | BASF Flexy Disk 5.25"-1 | BASF Flexy Disk 5.25"-1D | BASF Flexy Disk 5.25"-2 | BASF Flexy Disk 5.25"-2D |

^{+))} On Side 1, Side 0 see 6106
Track radius 1 is 2.1167 mm
smaller than track radius 0.

TABLE 1 - 1 : SPECIFICATION SUMMARY (continued)

PHYSICAL SPECIFICATIONS

| | | |
|---|---|--|
| Environmental limits | | |
| Ambient temperature on disk surface (operation) | 10 ⁰ to 50 ⁰ C (50 ⁰ F to 120 ⁰ F) | |
| Relative humidity | 20 % to 80 % | |
| Maximum wet bulb | 29 ⁰ C (84 ⁰ F) | |
| DC-voltage requirements | + 12 VDC \pm 5 % 0,7 A ⁺⁾ max. 100 mVpp ripple | |
| | + 5 VDC \pm 5 % 0,5 A max. 50 mVpp ripple | |
| | +) additional motor starting current : max. 0.65 A for max. 50 msec | |
| | head load start current 0.7 A for 50 msec | |
| Power dissipation | 10.0 Watts operating 4.0 Watts stand by (motor off) 7.5 Watts motor on and deselected | |
| Mechanical dimensions: | | |
| Width | 146.1 mm (5.75 inch) | |
| Height | 53.5 mm (2.11 inch) | |
| Depth | 190.0 mm (7.48 inch) | |
| Weight | 1.4 kg | |

RELIABILITY SPECIFICATIONS

| | |
|--|--|
| MTBF | 10000 POH under typical usage ⁺⁾ |
| Unit life time | 5 years |
| MTTR | 30 minutes |
| Error rates: | |
| Soft read errors | 1 per 10 ⁸ bits read |
| Hard read errors | 1 per 10 ¹¹ bits read |
| Seek errors | 1 per 10 ⁶ seeks |
| +) Duty cycle of Spindle Drive Motor: 20% of POH | |

MEDIA SPECIFICATIONS

| | |
|-------------|--------------------------------|
| Jacket | 133.4 mm (5.25 inch) square |
| Disk | 130.2 mm (5.125 inch) diameter |
| Center hole | 28.58 mm (1.125 inch) diameter |

TABLE 1 - 1 : SPECIFICATION SUMMARY

1.5. OPTIONS SUMMARY

The following tables list the options of the BASF 6106 and BASF 6108 mini disk drives.

1.5.1. FACTORY INSTALLED OPTION

| Option | Function |
|--------------------|---|
| Door Lock Solenoid | Locks the front door under control of the users software. |

TABLE 1 - 2 : FACTORY INSTALLED OPTION

1.5.2. JUMPER OPTIONS

The following options are selectable by jumpers on the PCB. Refer to table 3 - 10 for jumper option matrix.

| Option | Function |
|---------------|--|
| RADIAL SELECT | Allows the connection of four mini disk drives to the host system. Each drive has an own address (0,1,2,3) selectable by jumper. |
| AUTO SELECT | The interface is always enabled (drive is always selected). The SELECT-lines are not used. |
| HEAD LOAD | <p>Loading of the head can be accomplished in three modes:</p> <ul style="list-style-type: none"> ● Selected Head Load (INT.SELECT+ HEAD LOAD) ● Auto Head Load (INT. SELECT) ● Radial Head Load (HEAD LOAD) <p>The head will be loaded only if the inserted mini disk rotates.</p> |
| IN USE | Pin 34 of the interface is used as IN USE input signal and controls the door lock solenoid and the activity indicator. If this option is used the disk change option must be disabled. |

TABLE 1 - 3 : JUMPER SELECTABLE OPTIONS

| Option | Function |
|----------------------------|--|
| DOOR LOCK LATCH | Allows locking of the door without maintaining the IN USE signal activated by storing the state of the IN USE-signal into the IN USE-flipflop. To use this option, the IN USE-option must be jumpered. |
| DISK CHANGE | Notifies the host system that the mini disk has been changed. If this option is used, the IN USE-option must be disabled. |
| DOOR LOCK | <p>Locking of the door can be accomplished as follows :</p> <ol style="list-style-type: none"> 1. by the IN USE-signal 2. by the IN USE-FF (DOOR LOCK LATCH) 3. if the drive is selected (SELECT active) 4. if the head is loaded (HEAD LOAD active) 5. if 1. or 2. is true 6. if 1. or 3. is true 7. if 1. or 4. is true 8. if 2. or 3. is true 9. if 2. or 4. is true 10. if 1. or 2. or 3. is true 11. if 1. or 2. or 4. is true |
| ACTIVITY INDICATOR OPTIONS | <p>The lighting of the activity LED is selectable by jumper to one of the following conditions:</p> <ul style="list-style-type: none"> - the head is loaded and the drive is ready - the door is locked and the drive is ready - HEAD LOAD is active - the door is locked |
| WRITE PROTECT OPTION | Allows protection of the mini disk against overwrite if the write protect notch is closed (ECMA, Shugart). |
| STEPPER MOTOR SWITCHING | The stepper motor is switched on and off together with the drive motor if a jumper is inserted. If the jumper is not inserted, the stepper motor will be enabled as long as power is supplied. |

1.6. RECORDING MEDIA

The BASF mini disk drives use a removable 130 mm (5.25 inch) diameter flexible disk as storage media. Figure 1 - 2 shows construction and dimensions of a typical 5.25" flexy disk. The recommended recording media is :

- for model BASF 6106 mini disk drives :
 - single density : BASF 5.25"-1
 - double density : BASF 5.25"-1D
- for model BASF 6108 mini disk drives :
 - single or double density : BASF 5.25"-2D

The flexy disk is an oxide coated flexible disk enclosed in a protective plastic envelope. The protective envelope contains apertures for head contact , index detection, write protect detection and drive spindle loading.

The write protect notch is used to protect the written data on the flexy disk (see 2.3.14.4. write protect detector).

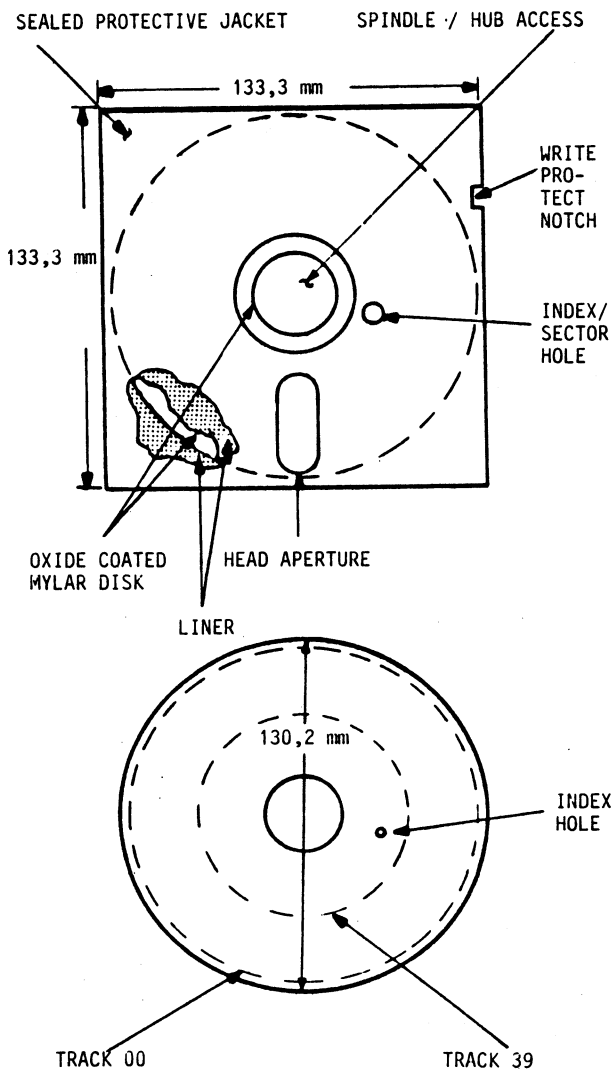


FIGURE 1 - 2 :
FLEXIBLE DISK CONSTRUCTION AND DIMENSIONS

1.7. RECORDING FORMATS

The format of the data recorded on the diskette depends on the host system. There are two encoding schemes used :

- FM - Frequency Modulation for single density
- MFM - Modified Frequency Modulation for double density

1.7.1. FM-ENCODING

This scheme utilizes clocks to define bit cell times. The presence of a flux reversal between clock pulses is defined as a "one" bit. The absence of a flux reversal between clocks is defined as a "zero" bit. On the write data and read data interface lines between disk drive and host system, each pulse represents a flux reversal on the diskette.

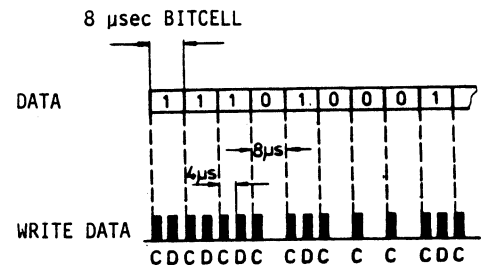


FIGURE 1 - 3 : FM-ENCODING

1.7.2. MFM-ENCODING

A flux transition is always recorded at the center of the bitcell for each "one" data bit. No flux transition is recorded for a "zero" bit, unless it is not followed by another "zero" bit. In this case, the flux transition is provided at the end of the first bit cell.

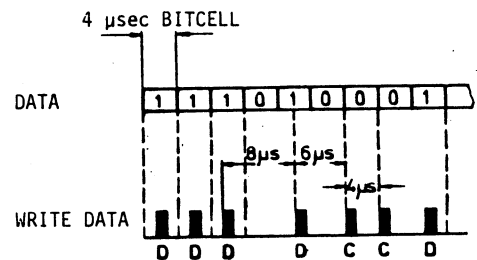


FIGURE 1 - 4 : MFM-ENCODING

1.8. TRACK FORMAT

The tracks of the flexy disk may be formatted in numerous ways, depending on the formatter of the host system used. The BASF mini disk drives write and read hard or soft sectored track formats.

1.8.1. SOFT SECTORED TRACK FORMATS

In a soft sectored track format, the user may record one long record or several smaller records on a track. The most common soft sectored track formats are described in the following chapters.

(The designer should also consider national and international standards for data interchange).

1.8.1.1. SOFT SECTORED TRACK FORMAT FOR SINGLE DENSITY (16 sectors/track @ 128 bytes)

This format is shown in figure 1 - 6. It is similar to the IBM-format.

The beginning of a track is indicated by a physical index pulse. Each record is preceded by a unique record identifier. Record identifiers and data fields are separated by gaps. The gaps are necessary to allow updating of a data field without disturbing adjacent fields.

INDEX GAP

This gap starts with the index pulse and is 16 bytes in length. It is not affected by any update write process.

IDENTIFIER GAP

This gap consists of 11 bytes FF and may vary slightly in length after the data field has been updated.

DATA GAP

This gap separates the data field from the following ID-field and is nominally 27 bytes in length. It will vary slightly in length after the data field has been updated.

TRACK GAP

The gap between the last data field and the index pulse is defined as track gap. It varies slightly in length, due to write frequency and disk speed tolerances. It is nominally 101 bytes in length.

ADDRESS MARK (AM)-BYTE

The soft sectored track format needs unique bit patterns to identify the beginning of ID and data fields for synchronizing the deserializer circuit in the host system. The unique bit pattern is called Address Mark (AM). AM-patterns do not contain clock bits in all bit cells (all other data bytes must have clock bits in each bit cell!).

There are three different AM-patterns used :

- ID-AM in front of an ID-field
- DATA-AM in front of a data field
- DELETED DATA-AM in front of a deleted data field

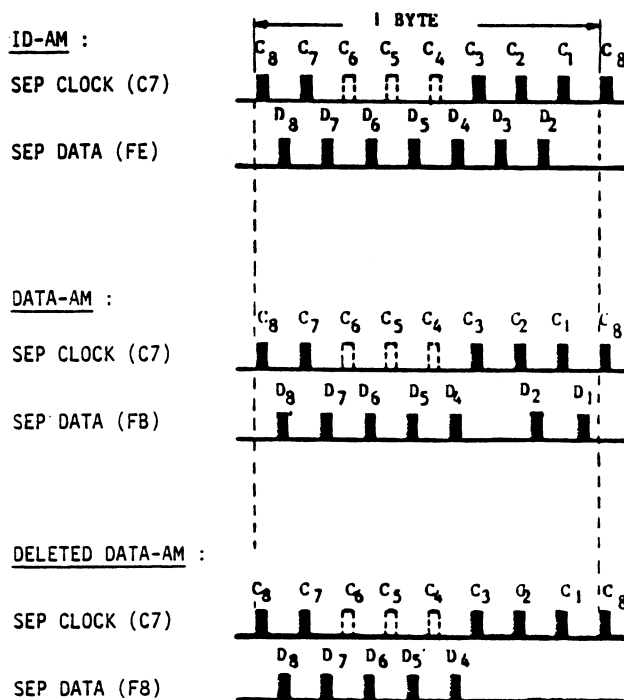


FIGURE 1 - 5 : ADDRESS MARK PATTERNS

SECTOR IDENTIFIER

The sector identifier consists of the identifier mark, the address identifier and the EDC-pattern.

IDENTIFIER MARK

This field comprises 7 bytes (see figure 1 - 6). The 6 bytes of zeros in front of the address mark byte are for synchronisation of the data separator in the host system. The ID-AM-byte contains a data pattern of FE where the clock bits C6, C5 and C4 are missing as explained before.

ADDRESS IDENTIFIER

The address identifier comprises the following 6 bytes :

1. track address (TRK) :

This byte represents in binary notation the track address from 00 for the outermost track to 39 for the innermost track.

2. side address (SID) :

Represents in binary notation the side address (00 or 01) of the mini disk.

3. sector address (SEC) :

Represents in binary notation the sector address from 01 for the 1st sector to 16 for the last sector of a track.

4. sector length (LEN) :

This byte identifies the length of the data field as follows :

- 00 : 128 bytes
- 01 : 256 bytes
- 02 : 512 bytes
- 03 : 1 024 bytes

5. and 6. EDC-bytes (EDC) :

These two bytes are hardware generated from the host system by shifting serially the bits of the sector identifier starting with the ID-AM and ending with the 4th byte of the sector identifier through a 16-bit shift register described by the generator polynomial :

$$x^{16} + x^{12} + x^5 + 1$$

(for more details, read chapter EDC-implementation !).

| | | | | | | | |
|----------------------|-------------------------------|---------------------------|-------------------------------|---------------------------|------------------------------|---------------------------|-----------------------|
| INDEX GAP 16 X FF | SECTOR IDENTIFIER 13 BYTES | IDENTIFIER GAP 11 X FF | FIRST DATA BLOCK 137 BYTES | DATA BLOCK GAP 27 X FF | LAST DATA BLOCK 137 BYTES | DATA BLOCK GAP 27 X FF | TRACK GAP 101 X FF |
| | 1st sector | | | | 16th sector | | |

INDEX PULSE

SECTOR IDENTIFIER :

| | | |
|---------------------------|---------------------------------------|----------------|
| IDENTIFIER MARK 6 X 00 | ADDRESS IDENTIFIER TRK SID SEC LEN | EDC 2 BYTES |
| FE 1) C7 2) | | |

ID-AM

DATA BLOCK :

| | | | |
|----------------|------------------------|-------------------------|----------------|
| DATA 6 X 00 | MARK FB 1) C7 2) | DATA FIELD 128 BYTES | EDC 2 BYTES |
|----------------|------------------------|-------------------------|----------------|

DATA-AM

1) DATA PATTERN

2) CLOCK PATTERN

DELETED AM : F8

ID-AM :

SEP CLOCK (C7)

SEP DATA (FE)

DATA-AM :

SEP CLOCK (C7)

SEP DATA (FB)

DELETED DATA-AM :

SEP CLOCK (C7)

SEP DATA (F8)

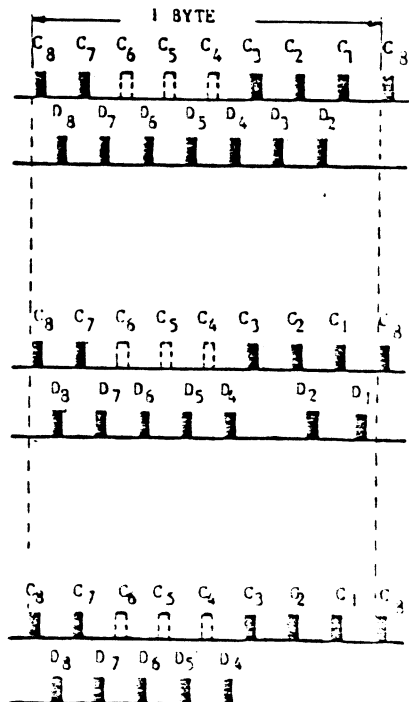


FIGURE 1 - 6 : SOFT SECTORED TRACK FORMAT WITH 16 SECTORS/TRACK FOR SINGLE DENSITY (FM)

DATA BLOCK

The data block contains the data mark, the data field and the EDC-bytes.

DATA MARK

This field comprises 7 bytes (see figure 1 - 6). The 6 bytes of zeros in front of the data address mark are for synchronisation of the data separator circuit in the host system. The data address mark byte contains FB in front of a normal data field. When a deleted data field follows, FB must be written. The clock pattern of the data address mark is C7 (C6, C5 and C4 missing).

DATA FIELD

This field comprises 128 bytes. If it comprises less than 128 bytes, the remaining positions shall be filled with zeros.

EDC-BYTES

These two bytes are hardware generated by the host system by shifting serially the bits of the data block starting with the DATA-AM and ending with the last byte of the data field through a 16-bit shift

register described by the following generator polynomial :

$$x^{16} + x^{12} + x^5 + 1$$

EDC-IMPLEMENTATION

Figure 1 - 7 is a simplified logic of a shift register, which may be used to generate the EDC-bytes.

Prior to the operation, all positions of the shift register are set to ONE. Input data are added (exclusive OR) to the contents of position C_{15} of the register to form a feedback. This feedback in turn is added (exclusive OR) to the contents of position C_4 and position C_{11} .

On shifting, the outputs of the exclusive OR gates are entered into positions C_0 , C_5 and C_{12} respectively. After the last data bit was added, the register is shifted once more as specified above.

The register then contains the EDC-bytes. When further shifting is to take place during the writing of the EDC-bytes, the control signal inhibits exclusive OR operations.

To check for errors when reading, the data bits are added into the shift register in exactly the same manner as they were during writing. After the data, the EDC bytes are also entered into the shift register as if they were data. After the final shift, the register contents will be all ZERO if the record does not contain errors.

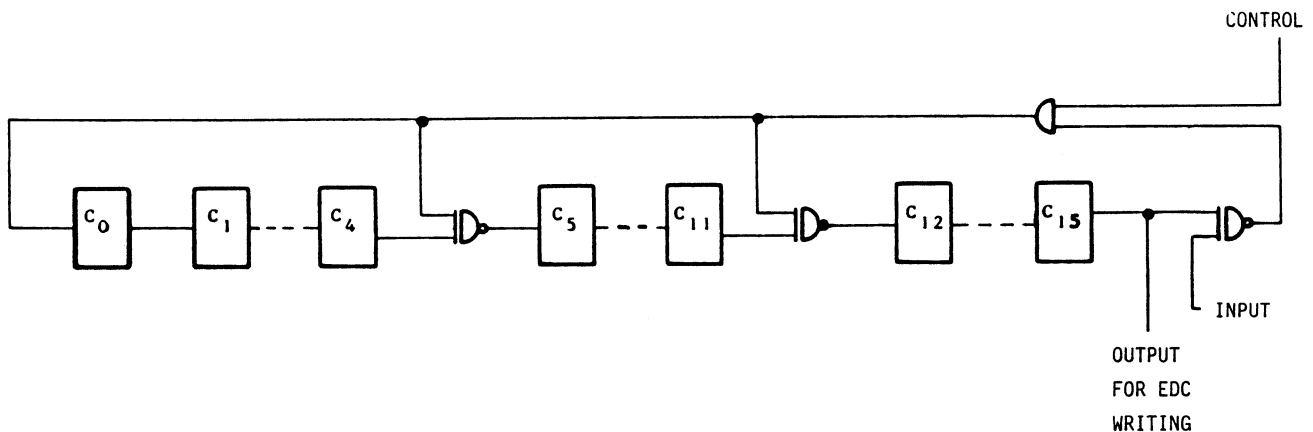


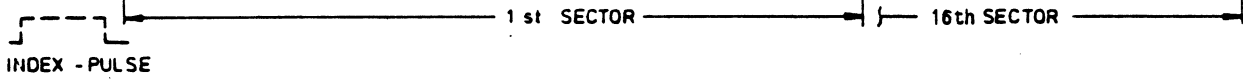
FIGURE 1 - 7 : SIMPLIFIED SHIFT REGISTER

1.8.1.3. SOFT SECTORED FORMAT FOR DOUBLE DENSITY (16 SECTORS à 256 BYTES)

On double sided diskettes for double density, track 0 on side 0 is recorded in FM. For this track, only the previous described track format for single density is valid. All other tracks on the diskette are recorded in MFM. For these tracks, the following track format will be valid (see figure 1 - 9).

The content of the data blocks is doubled to 256 bytes. In MFM recording, the bit density is also doubled, the sector count will be the same as in single density format (1.8.1.1.). The meaning of the different fields and the generation of the EDC-bytes are the same as in single density recording. Only the address mark pattern is changed as shown in figure 1-9.

| INDEX GAP | SECTOR IDENTIFIER | IDENTIFIER GAP | FIRST DATA BLOCK | DATA BLOCK GAP | LAST DATA BLOCK | DATA BLOCK GAP | TRACK GAP |
|-----------|-------------------|----------------|------------------|----------------|-----------------|----------------|-----------|
| 146 BYTES | 22 BYTES | 22 x 4E | 274 BYTES | 54 x 4E | 262 BYTES | 54 x 4E | 192 x 4E |

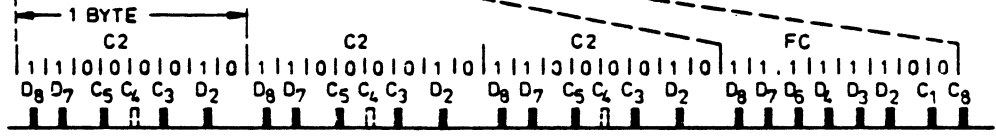


INDEX GAP:

| | | | | |
|---------|---------|----------------------|----|---------|
| 80 x 4E | 12 x 00 | 3 x C2 ¹⁾ | FC | 50 x 4E |
|---------|---------|----------------------|----|---------|

1) MISSING CLOCK TRANSITIONS BETWEEN BITS 5 AND 4.

INDEX - AM:

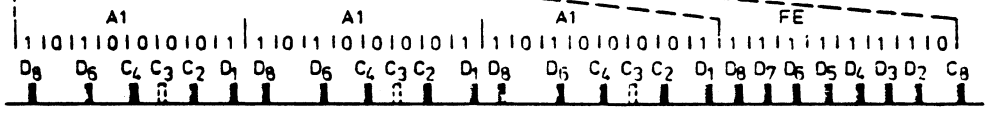


SECTOR IDENTIFIER:

| IDENTIFIER | MARK | ADDRESS IDENTIFIER | | | | E D C |
|------------|----------------------|--------------------|-----|-----|-----|-------|
| 12 x 00 | 3 x A1 ²⁾ | FE | CYL | SID | SEC | 01 |

2) MISSING CLOCK TRANSITIONS BETWEEN BITS 4 AND 3.

IDENTIFIER - AM:



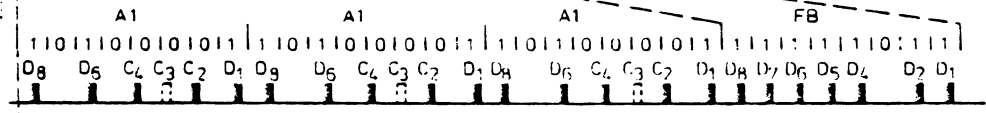
DATA BLOCK:

| DATA | MARK | DATA FIELD | | E D C |
|---------|----------------------|------------------|-----------|---------|
| 12 x 00 | 3 x A1 ²⁾ | FB ³⁾ | 256 BYTES | 2 BYTES |

2) MISSING CLOCK TRANSITIONS BETWEEN BITS 4 AND 3

3) DELETED RECORD: FB

DATA - AM:



DELETED DATA - AM:

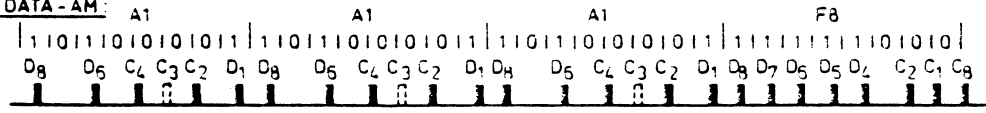


FIGURE 1 - 9 : SOFT SECTORED TRACK FORMAT FOR DOUBLE DENSITY (MFM)

SECTION II.
THEORY OF OPERATION

1

1

1

2

2.1. GENERAL

This section contains descriptive information on each function of the mini disk drive and detailed theory of operation of mechanism and electronics of the drive.

2.2. FUNCTIONAL DESCRIPTION

The models BASF 6106 and BASF 6108 comprise the following functions :

- drive mechanism
- spindle and front door mechanism
- positioning mechanism
- head load mechanism

2.2.1. DRIVE MECHANISM

The spindle is rotated at 300 rpm by a DC drive motor. Rotation of the spindle is provided by a belt and pulley. The drive motor is started and stopped by the interface signal MOTOR ON.

The ratio between motor and spindle speed is approximately 7:1.

2.2.2. SPINDLE AND FRONT DOOR MECHANISM

The main parts of this mechanism are the drive hub, the centering cone, the centering cone expander and the front door with pressure arm and door latch (see fig. 2 - 1). For loading, a diskette is inserted and the front door pressed. The pressure arm moves down, the centering cone enters the flexy disk. Just before the centering cone reaches the full down position, the centering cone expander is activated and expands the centering cone which grips the inner diameter of the flexy disk to ensure correct alignment. The door latch is activated and holds the front door in a closed position. For unloading a disk, the front door must be pressed again. The door latch opens and the pressure arm is moved upwards by a spring. The centering cone and centering cone expander also move upwards and disengage the mini disk from the drive hub.

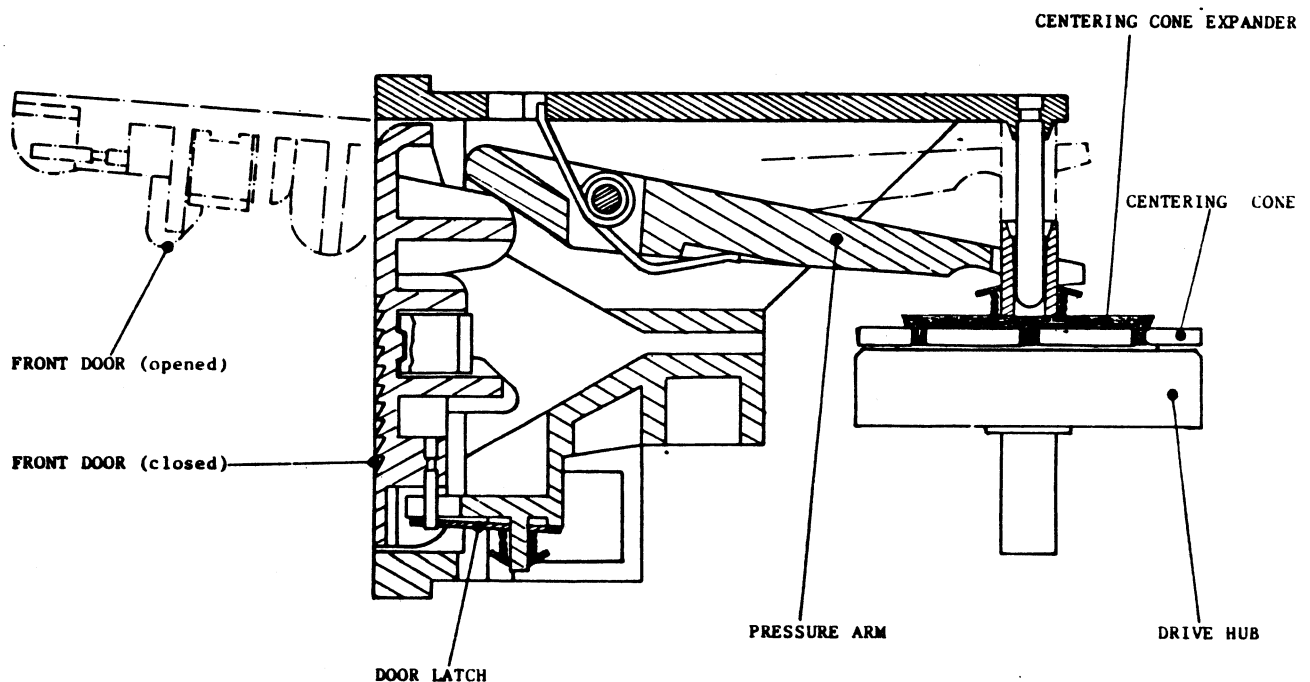


FIGURE 2 - 1 : SPINDLE AND FRONT DOOR MECHANISM

2.2.3. POSITIONING MECHANISM

The main parts of the positioning mechanism are (see fig. 2 - 2 and 2 - 3) :

- stepper motor
- spiral wheel
- carriage assembly

The stepper motor is a four phase motor and is rotated 15° by each step pulse.

The spiral wheel directly connected to the shaft of the stepper motor converts the rotational motion of the stepper motor to a linear motion of the read

write head assembly.

The BASF 6106 carriage assembly (see fig.2 - 2) consists of the read/write head, and the head load pressure arm. The read/write head is inserted in the carriage assembly, which rides on two guide bars. The flexy disk is pressed against the read/write head by the head load pressure arm. The head load pressure arm is released by the head load mechanism.

In the BASF 6108 carriage assembly (see fig. 2 - 3), the head load pressure pad is replaced by the upper read/write head.

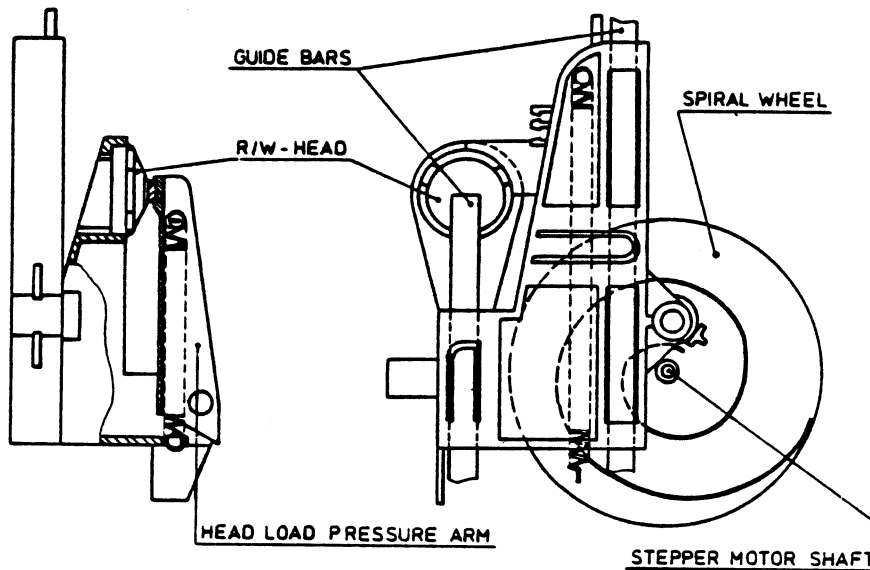


FIGURE 2 - 2 : POSITIONING MECHANISM BASF 6106

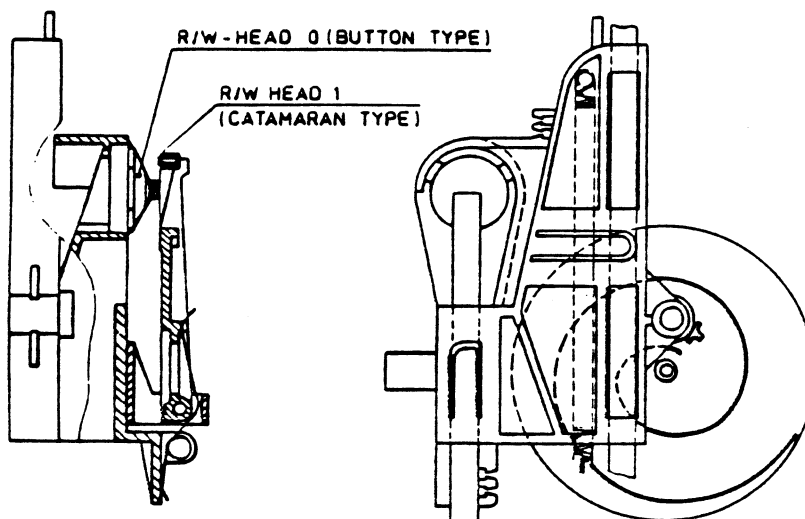


FIGURE 2 - 3 : POSITIONING MECHANISM BASF 6108

2.2.4. HEAD LOAD MECHANISM

The head load mechanism comprises (see fig. 2 - 4 and 2 - 5) :

- head load solenoid
- head load actuator

When the head load solenoid is energized, the head load actuator releases the head load pressure arm of the carriage assembly. On the single sided mini disk drive (BASF 6106), this causes the mini disk to be

pressed against the read/write head by the head load pad.

On the double sided mini disk drive (BASF 6108), the flexy disk is pressed against the bottom head (HEAD 0) by the upper head (HEAD 1) mounted in the pressure arm. The pressure foam on the head load actuator stabilizes the flexy disk. When the head load solenoid is deenergized, the head load actuator is lifted by a spring. The head load pressure arm is lifted also.

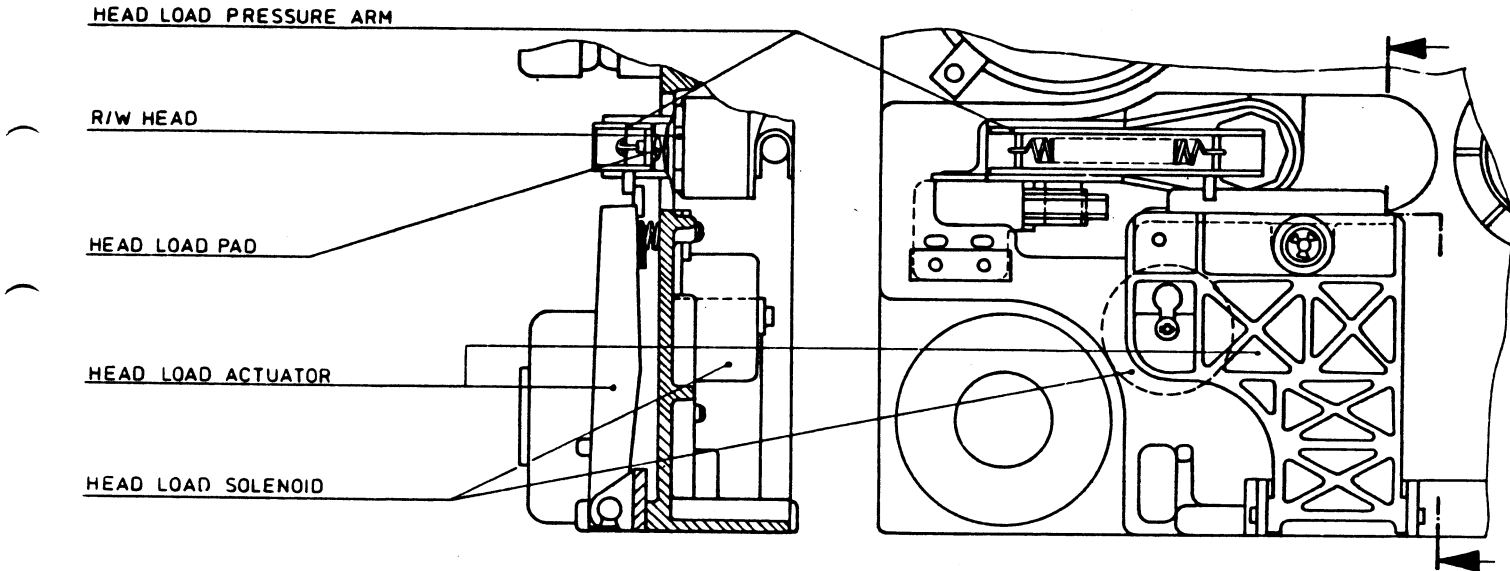


FIGURE 2 - 4 : HEAD LOAD MECHANISM BASF 6106

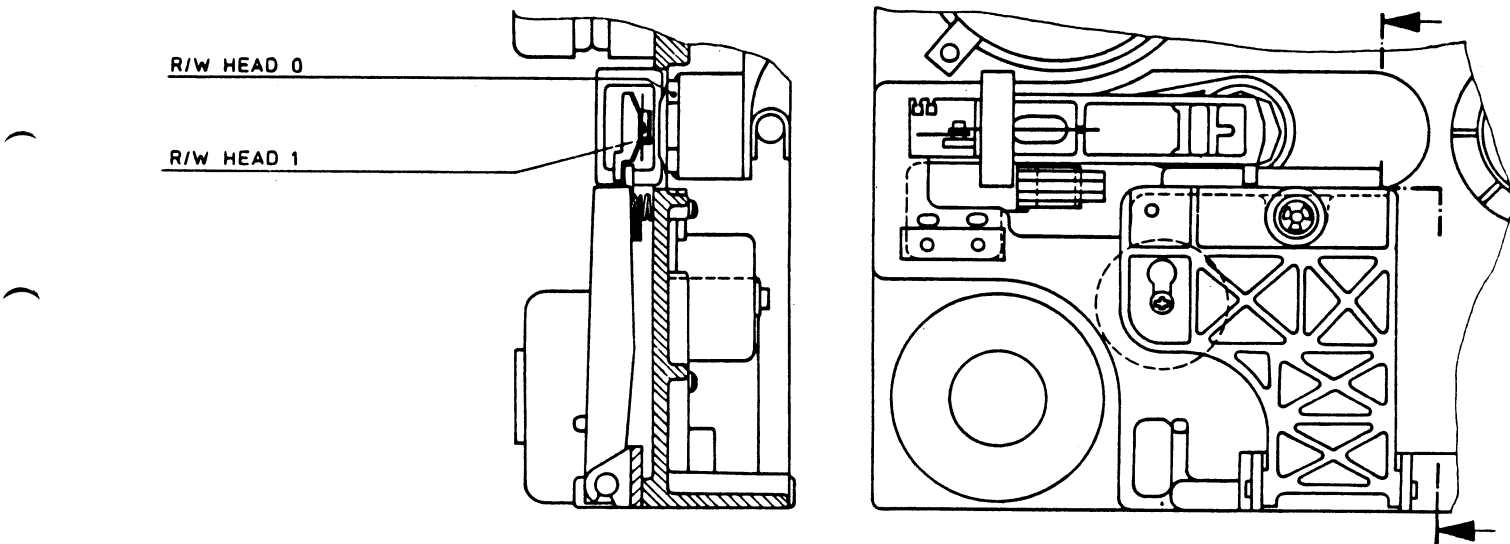


FIGURE 2 - 5 : HEAD LOAD MECHANISM BASF 6108

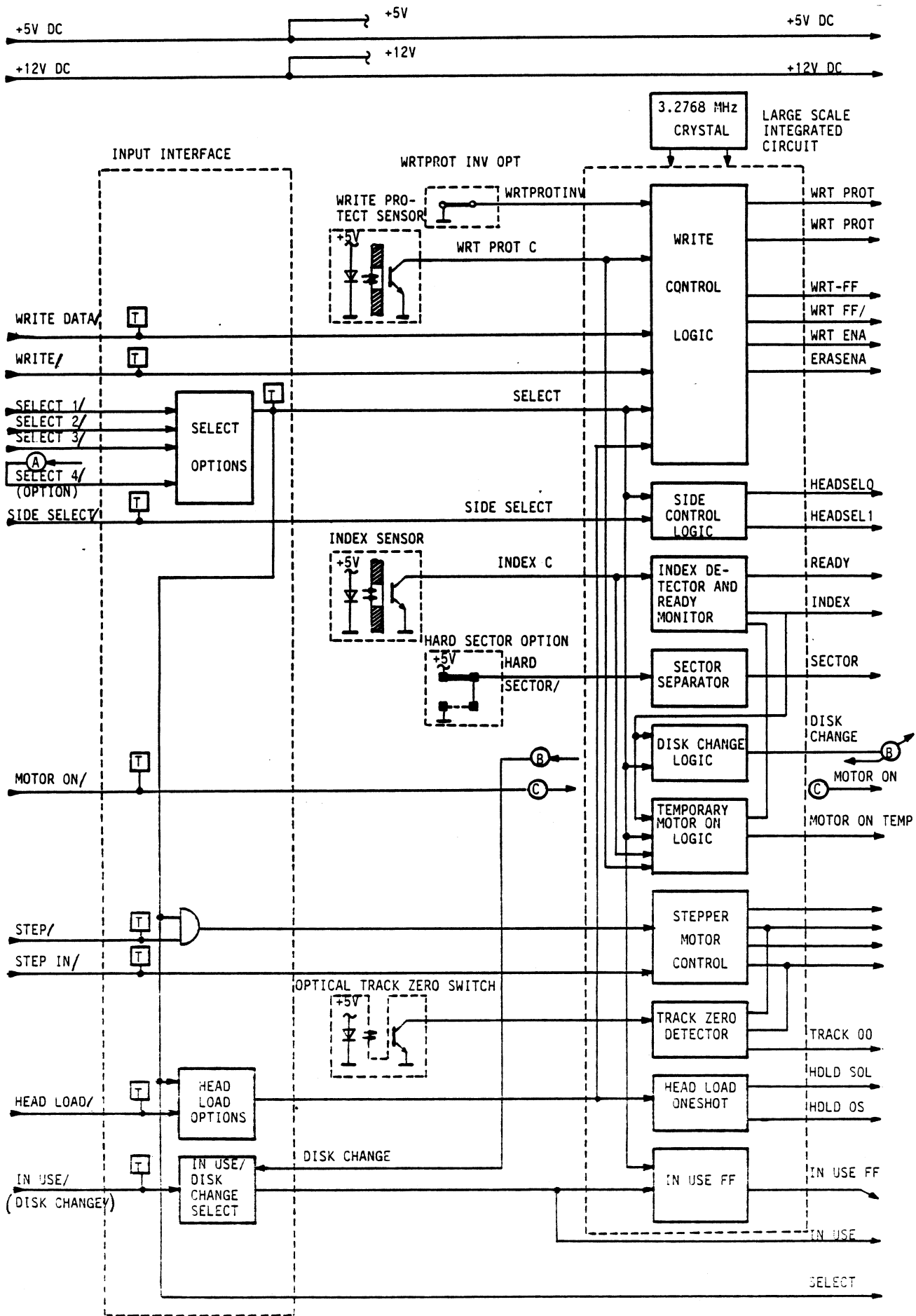


FIGURE 2 - 6 : BLOCK DIAGRAM

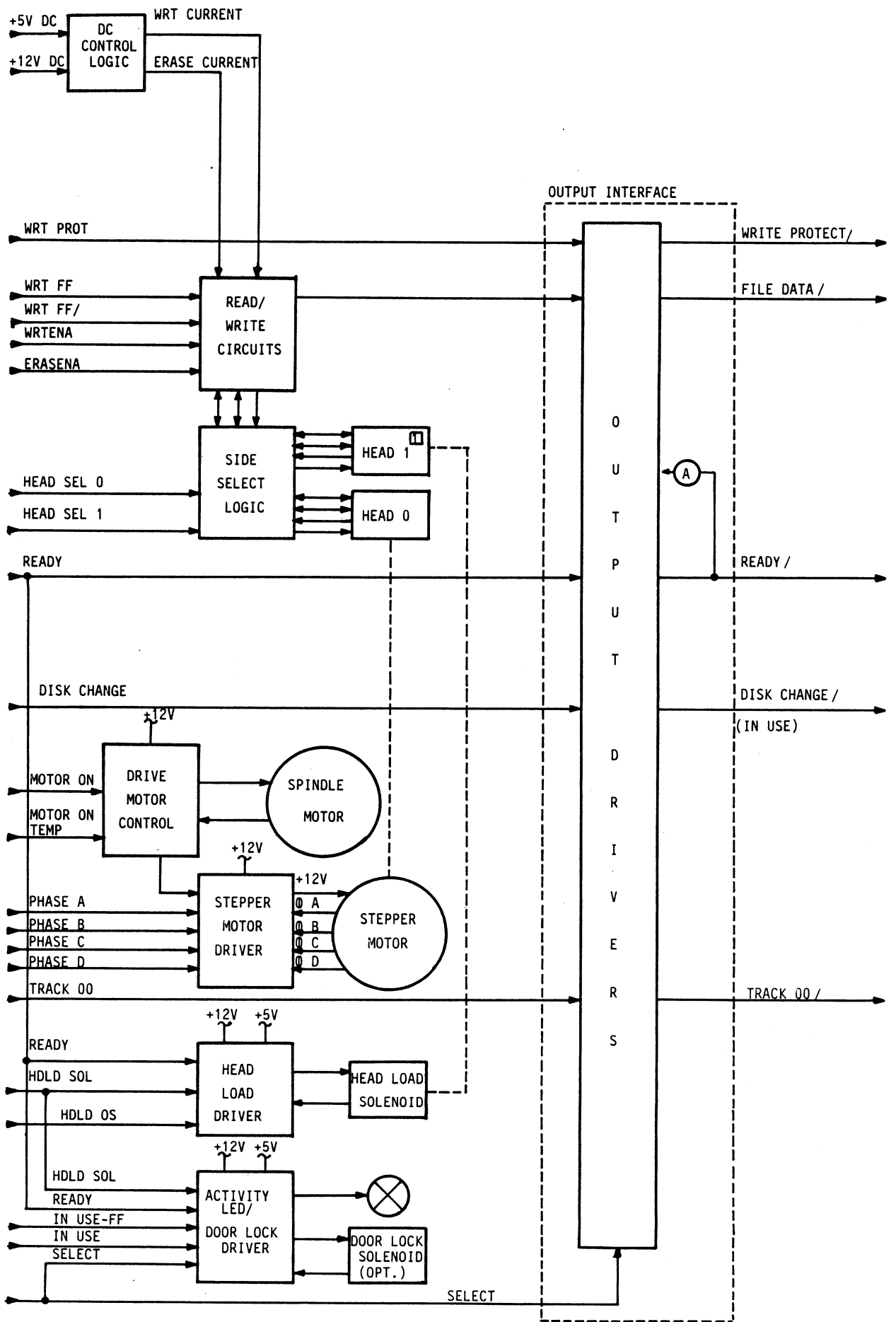


FIGURE 2 - 6 : BLOCK DIAGRAM

2.3. DRIVE ELECTRONIC DESCRIPTION

2.3.1. BLOCK DIAGRAM

Figure 2 - 6 is a block diagram of the drive control logic. The logic is divided into the following parts:

- input interface
- write control logic ¹⁾
- side control logic ¹⁾
- index detector and ready monitor ¹⁾
- sector separator ¹⁾
- disk change logic ¹⁾
- disk motor on logic ¹⁾
- stepper motor control ¹⁾
- track zero detector ¹⁾
- in use logic ¹⁾
- DC-control logic
- read/write circuits
- side select logic
- drive motor control
- stepper motor driver
- head load driver
- activity LED/door lock driver
- output interface

¹⁾ All these circuits are included in the BASF LSI-chip 81041

2.3.2. LARGE SCALE INTEGRATED CIRCUIT BASF 81041-001

The BASF FDD/MDD-LSI is a 40 pin NMOS large scale integrated circuit, designed for controlling of 8" and 5 1/4" floppy disk drives. The use of this circuit simplifies the electronic board and increases the reliability of the electronics.

The chip is programmed by 2 type select pins on the PCB for the different drives to be used.

The 3.2768-MHz crystal is used by the LSI-chip for generating the different time delay circuits (one shots) inside the chip. Other inputs (WRTPROTINV, AUTO ERASE, HARD SECTOR) are used to enable or disable the different options included in the LSI-chip.

Figure 2 - 7 shows the pin assignments of the LSI-chip.

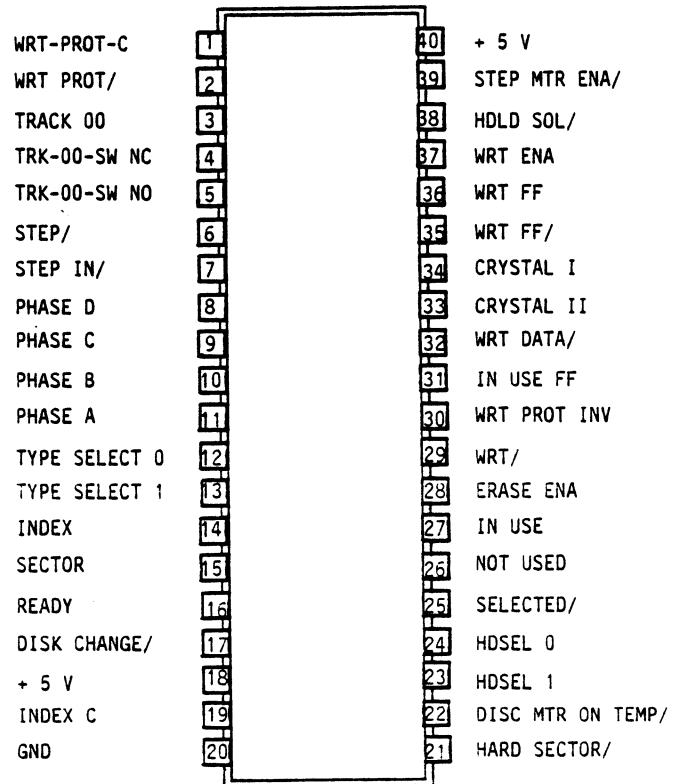


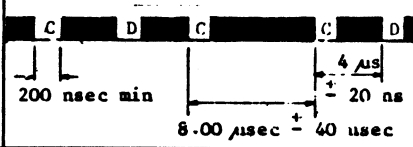
FIGURE 2 - 7 : PIN ASSIGNMENTS BASF LSI-CHIP
81041-001

2.3.3. INPUT INTERFACE

2.3.3.1. INPUT SIGNALS DEFINITIONS AND TERMINATION

The input interface receives the signals from the host system. Table 2 - 1 lists and defines the input signals.

The input lines are terminated by pull up resistors of 150 ohm. In a serial configuration only the last drive will contain the pull up resistor network. The receivers send the input signals to the different parts of the drive electronics.

| SIGNAL NAME | DEFINITION |
|-------------------------------|--|
| SELECT (1-3,4 ¹⁾) | Selects the desired mini disk drive. Enables all other interface lines except MOTOR ON, WRITE DATA, SIDE SELECT and DIRECTION IN. |
| WRITE DATA/ | This line carries low active pulses representing data to be recorded on the mini disk.  |
| WRITE GATE/ | Low input enables recording of WRITE DATA on disk. High input enables reading from the Flexy Disk. |
| MOTOR ON/ | This line turns on the drive motor and the stepper motor and is not gated by SELECT. A recalibrate operation must be performed to obtain correct head positioning every time after the MOTOR ON signal goes active. Switching of the stepper motor may be disabled by removing a jumper. This avoids recalibrating after switching on the drive motor. |
| DIRECTION IN/ | Defines motion of the read/write head LOW = in (towards Track 39) HIGH = out (towards Track 0) This line is not gated by SELECT. |
| STEP/ | Used in conjunction with DIRECTION IN and causes the read/write head to be moved from track to track. |
| HEAD LOAD/ | This line is used to press the mini disk against the read/write head if the mini disk drive is ready. To activate this line a jumper has to be changed. |
| IN USE/ | This line controls the door lock solenoid. Also the activity LED can be switched on. If the IN USE/ signal is used, the disk change option must be disabled. |
| SIDE SELECT/ | This line defines whether head 0 or head 1 of the mini disk drive is used. A high signal selects head 0, a low signal selects head 1. This line is not gated by SELECT. On BASF 6106 head 1 is not installed. |

1) If SELECT4/ is used, the READY OUTPUT SIGNAL is not available

TABLE 2 - 1 : INPUT SIGNALS

2.3.3.2. SELECT OPTIONS

There are two possibilities to select the mini disk drive :

- auto select
- radial select

AUTO SELECT

This option is used when no SELECT lines are used. The input and output interfaces are always enabled, because SELECT is forced to a high. To install the AUTO SELECT option 2D(3-4) must be jumpered (see fig. 2 - 8).

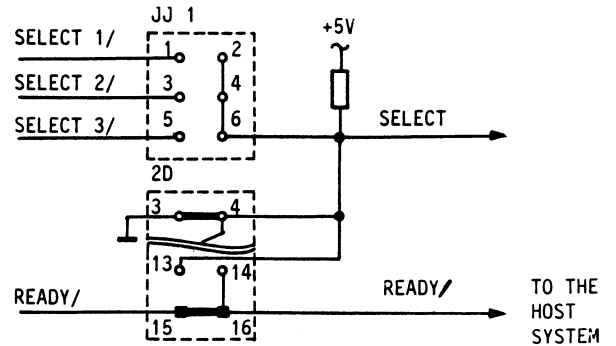


FIGURE 2 - 8 : AUTO SELECT OPTION

RADIAL SELECT

If radial select is normally, 3 mini disk drives can be connected to the host system. The signal SELECT 1/ will select the mini disk drive jumpered between JJ1 1 - 2, SELECT 2/ will select the mini disk drive jumpered between JJ1 3 - 4 and SELECT 3/ will select the mini disk drive jumpered between JJ1 5 - 6. There is a possibility to select a fourth drive, if the READY-signal is not used. 2D(15-16) must be scratched and a jumper from 2D (13-14) installed. Only one select jumper is allowed in one drive. For enabling of the radial select option JJ2 5 - 6 must be jumpered and the auto select option must be disabled by removing jumper 2D (3-4).

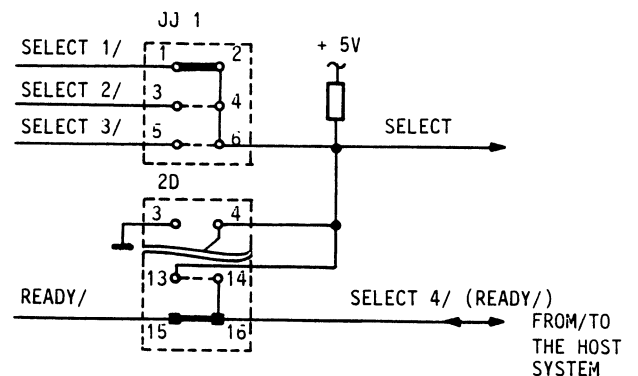


FIGURE 2 - 9 : RADIAL SELECT OPTION

2.3.3.3. HEAD LOAD OPTIONS

There are three possibilities for the user to load the head :

- auto head load
- selected head load
- radial head load

SELECTED HEAD LOAD OPTION

In this configuration, the head is loaded when the mini disk drive is selected and the HEAD LOAD signal is activated (see fig. 2 - 11).

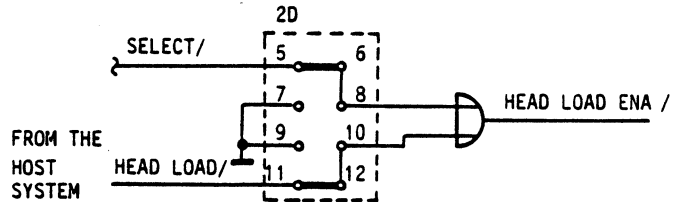


FIGURE 2 - 11 : SELECTED HEAD LOAD OPTION

AUTO HEAD LOAD

This option allows to load the read/write heads as soon as the mini disk drive is selected.

If auto head load is desired, the jumpers must be set as shown in fig. 2 - 10.

RADIAL HEAD LOAD OPTION

This option allows the user to keep the head loaded without selection of the mini disk drive. The 48 msec head load time is then eliminated. To install this option, see fig. 2 - 12.

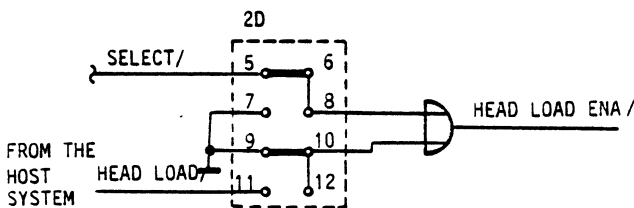


FIGURE 2 - 10 : AUTO HEAD LOAD OPTION

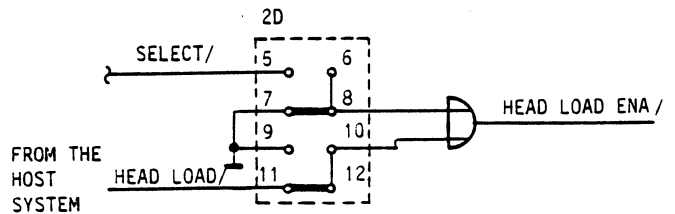


FIGURE 2 - 12 : RADIAL HEAD LOAD OPTION

2.3.4. OUTPUT INTERFACE

The output interface sends the read data pulses and the status signals WRITE PROTECT, INDEX, READY, TRACK 00 and DISK CHANGE (optional) to the host system (see table 2 - 2).

The output signals are gated by I/O-ENABLE and driven by the output drivers SN 7438.

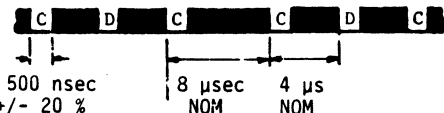
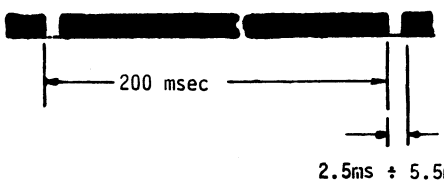
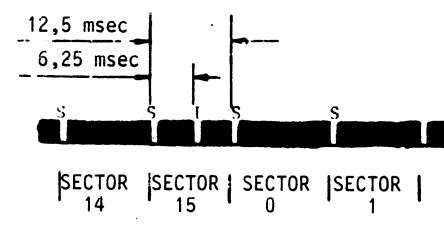
| SIGNAL NAME | DEFINITION |
|---------------------------|---|
| READ DATA/ WRITE DATA/ | <p>This line provides the "raw data" as detected by the read electronics.</p>  |
| WRITE PROTECT | <p>Low active status indicates that a write protected Flexy Disk is installed. The BASF 6106/08 will inhibit writing with a write protected Flexy Disk installed.</p> |
| INDEX/ | <p>The leading edge of this signal indicates the beginning of a track when soft sector format is used.</p>  <p>If a hard sectored disk is used this signal indicates the sensing of an index or sector hole. To indicate the beginning of a track one index pulse is sensed in the middle of sector 15.</p>  |
| TRACK 00/ | <p>This line indicates that the read/write head is positioned at track 00.</p> |
| READY/ | <p>This line indicates that the inserted Flexy Disk has reached more than 60 % of full operation speed and three consecutive INDEX pulses have been sensed. For hard sectored Flexy Disks READY is activated as soon as the Flexy Disk starts turning and three consecutive SECTOR pulses have been sensed.</p> |
| DISK CHANGE/ (OPTION) | <p>An active (low) signal is provided when the SELECT line is activated if the drive while deselected has gone from a Ready to a Not Ready condition.</p> |

TABLE 2 - 2 : OUTPUT SIGNALS

2.3.5. STEPPER MOTOR LOGIC

The stepper motor is a four-phase DC-motor and is controlled by the stepper motor logic. The stepper motor logic comprises the stepper motor control logic, located in the LSI-chip and the stepper motor driver. The stepper motor control consists of a divide by four up/down synchron counters with control circuits. Each STEP pulse from the host system rotates the stepper motor for one step. Each step corresponds to a rotation angle of 15°. The rotation of the stepper motor is converted to a linear motion of the R/W-head(s) by the spiral wheel. The direction of the motion of the R/W-head(s) depends on the input signal DIRECTION IN/. If this signal is active (low), the R/W-head(s) will be moved towards track 39 (in). The R/W-head(s) move out by each STEP pulse, when DIRECTION IN/ is in a high state. Multiple track positioning is attained by the host system issuing a series of STEP pulses at 12msec intervals. Table 2 - 3 shows the output signals for "in" and "out" motion of the R/W-head(s). The DIRECTION IN-signal must be at the desired level 1 µsec before the trailing edge of the STEP pulse. Stepping is initiated by the trailing edge of the STEP pulse. The time between two consecutive STEP pulses must be 12 msec minimum (see fig. 2 - 13). As long as WRITE GATE is active during a write operation, the STEP pulse interface line is inhibited.

In figure 2 - 14, a Zener diode is used in addition to four free wheeling diodes. This undamps the magnetic response at switch off time, causes armature to oscillate across target position. This reduces the influence of friction upon target positioning, decreases hysteresis error, resulting in precise settling on target position.

STEPPER MOTOR SWITCHING OPTION

The stepper motor can be switched on and off by the MOTOR ON signal, if there is a jumper installed between 5D (1-2). If this jumper is installed, the power consumption of the drive is reduced, but the stepper motor must be repositioned by a recalibrate operation each time the drive motor is turned on. This option is recommended for battery operated systems.

| I N | | | | | O U T | | | | | | |
|------|-------|----|----|----|-------|------|-------|----|----|----|----|
| STEP | PHASE | A/ | B/ | C/ | D/ | STEP | PHASE | A/ | B/ | C/ | D/ |
| - | | L | H | L | H | - | | L | H | L | H |
| 1 | | H | L | L | H | 1 | | L | H | H | L |
| 2 | | H | L | H | L | 2 | | H | L | H | L |
| 3 | | L | H | H | L | 3 | | H | L | L | H |
| 4 | | L | H | L | H | 4 | | L | H | L | H |

TABLE 2 - 3 : SEQUENCE OF THE STEPPER MOTOR SIGNALS

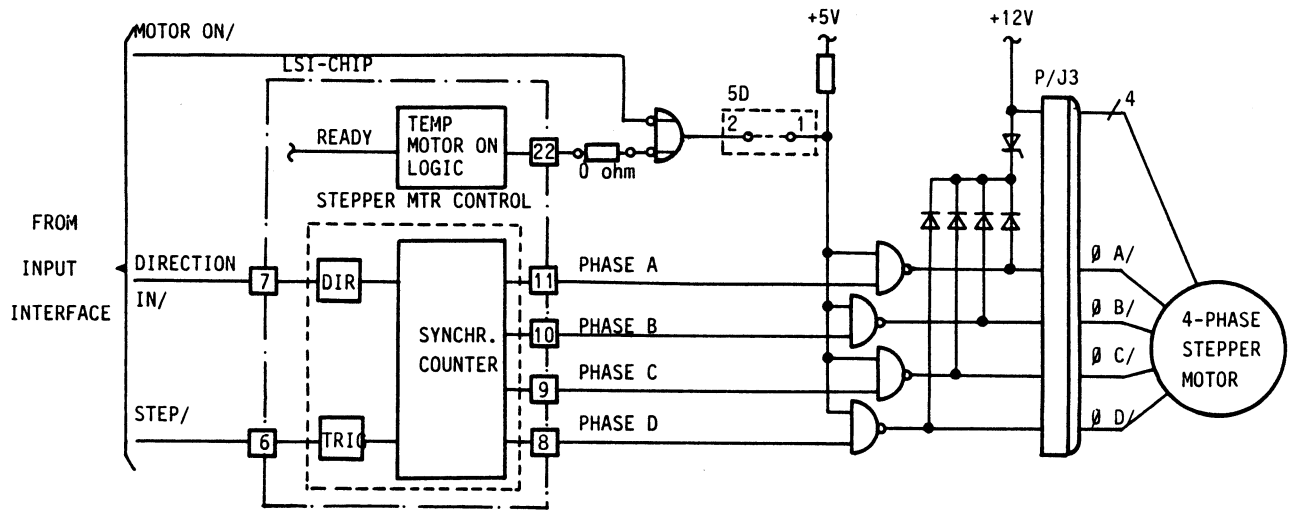


FIGURE 2 - 13 : STEPPER MOTOR LOGIC

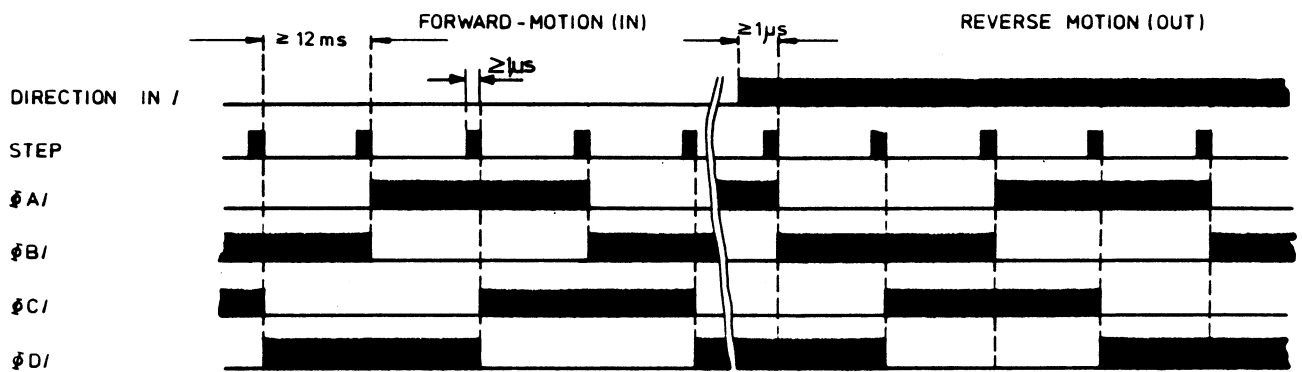


FIGURE 2 - 14 : STEPPER MOTOR - TIMING DIAGRAM

2.3.6. DRIVE MOTOR LOGIC

The drive motor used in the BASF 6106/08 is a DC-motor. Start and stop of the motor are controlled by the MOTOR ON-signal of the host system and the temporary motor on control logic in the LSI-chip.

2.3.6.1. TEMPORARY MOTOR ON LOGIC (fig. 2-15)

This logic is used to turn on the drive motor as soon as a diskette is inserted in the disk drive, even if the MOTOR ON-signal is not activated. The centering

of the diskette will be improved during closing the front door by the turning spindle. As soon as the diskette passes the write protect sensor, the 10msec OS and in sequence, the 20sec OS are fired and the WRTPROT LTH is set (see timing diagram 2 - 16).

When the diskette passes the index sensor, the INDEX-FF is set and MTR ON TEMP/-signal is activated. The motor starts turning. As soon as the door is closed, the disk turns, READY will be generated by the ready monitor, which resets the INDEX FF and the WRTPRTLTH. The motor stops. If the door will not be closed after insertion of the diskette, the motor is stopped after the 20sec OS times out.

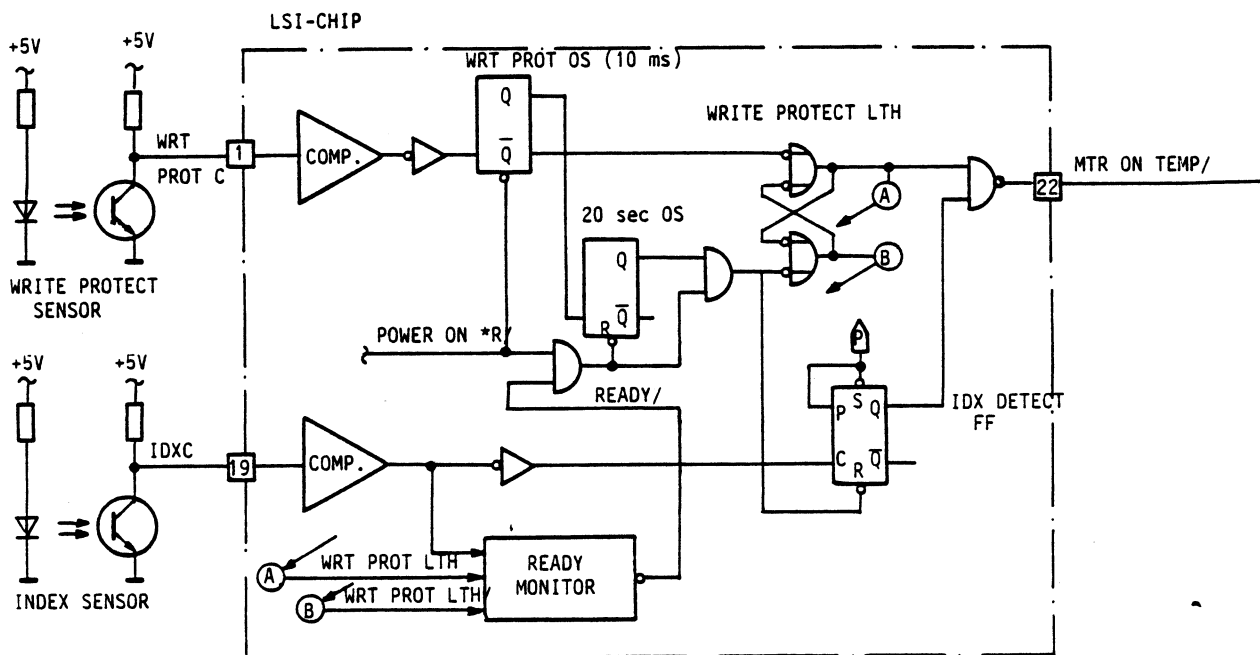


FIGURE 2 - 15 : TEMPORARY MOTOR ON LOGIC

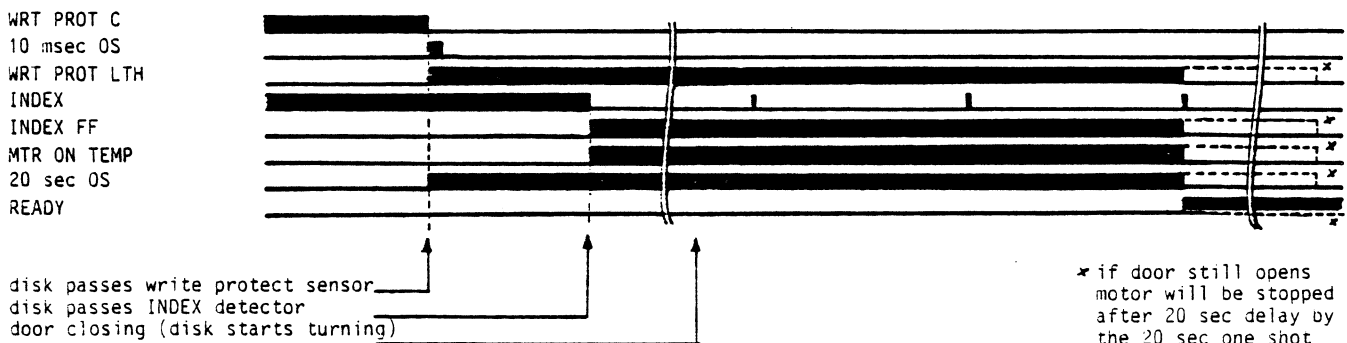


FIGURE 2 - 16 : TIMING DIAGRAM TEMPORARY MOTOR ON LOGIC

2.3.6.2. DRIVE MOTOR CONTROL (FIG. 2 - 17)

The speed of the drive motor is controlled by the integrated circuit ESM 227. It holds the EMF of the drive DC-motor to a constant value. Because the speed of the drive motor is proportional to its EMF, the speed will be also constant. With the potentiometer R47, the drive motor must be adjusted to a disk speed of 300 RPM. The output voltage of the ESM 227 is controlled by the MOTOR ON-signal at pin 12 of the chip.

If MOTOR ON is inactive (low), T1 will be closed and holds T2 open. The drive motor stops. An active MOTOR ON-signal opens T1 and T2 is enabled. The drive motor is running and regulated, so that the flexy disk is rotating at 300 RPM. T10 limits the drive-motor start current to 0.7 A.

After the drive motor is started, a delay of 0.5 sec is needed to allow proper motor speed, before reading or writing.

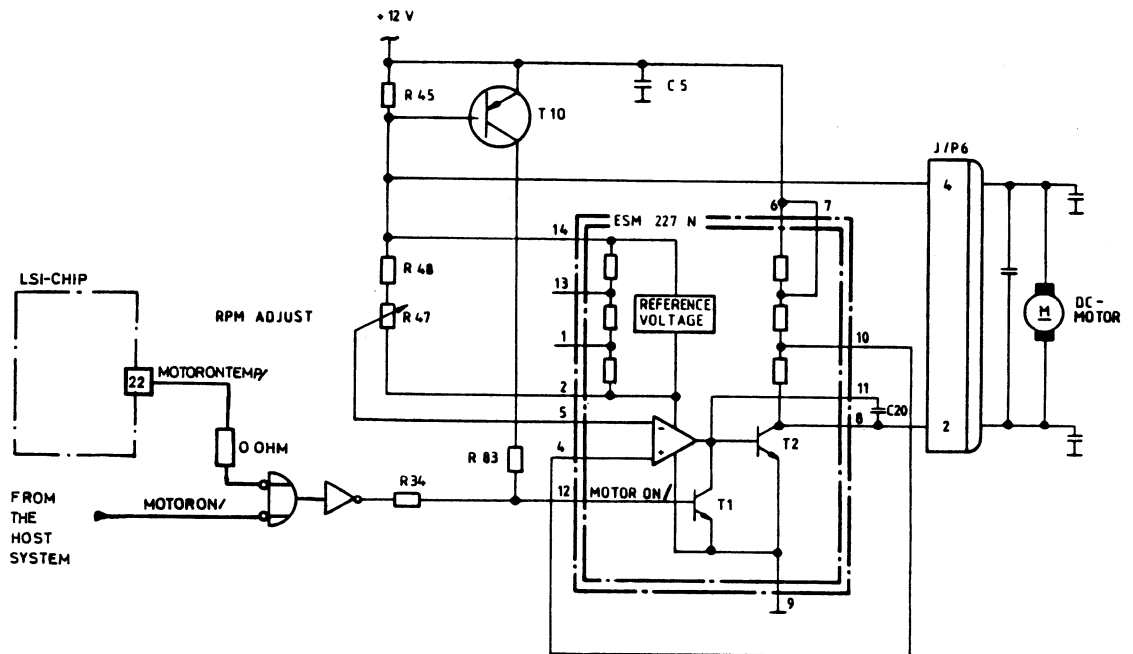


FIGURE 2 - 17 : DRIVE MOTOR CONTROL

2.3.7. HEAD LOAD LOGIC (FIG. 2 - 18)

The head load mechanism is activated by the head load solenoid, which is energized when HEADLOADENA is active and the mini disk drive is ready. READY is activated by the ready monitor in the LSI-chip. As the head load solenoid is activated, TA is closed for 20 ms by the HEAD LOAD ONE SHOT and applies +12V to the head load solenoid to supply sufficient start-

ting current (see fig. 2 - 19). When the HEAD LOAD OS times out, transistor TA turns off, but transistor TB still remains on. +5V is now applied to the head load solenoid by the resistor R and the forward biased DIODE D. The head load solenoid remains activated by decreased power dissipation. DI suppresses the spikes on power down.

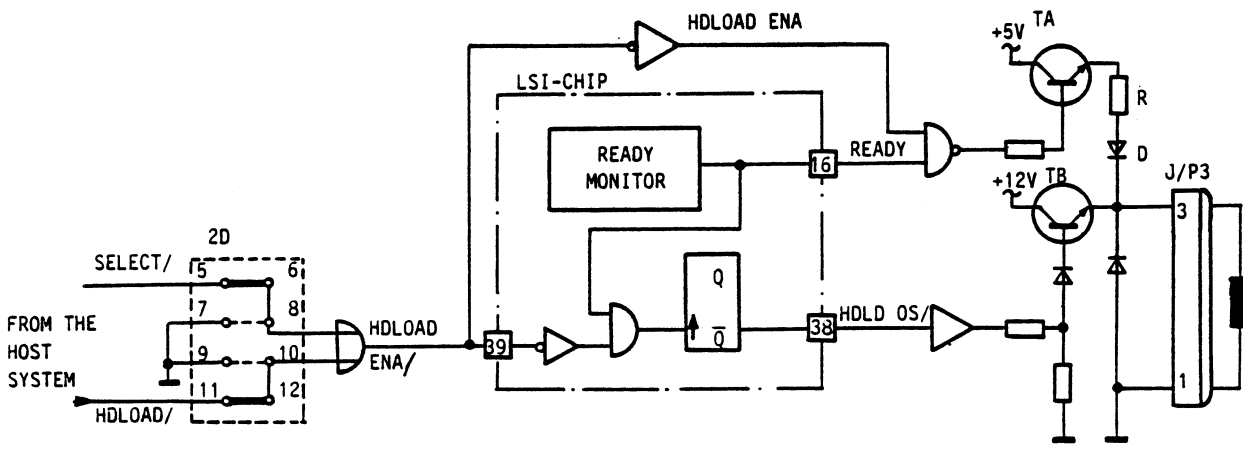


FIGURE 2 - 18 : HEAD LOAD LOGIC

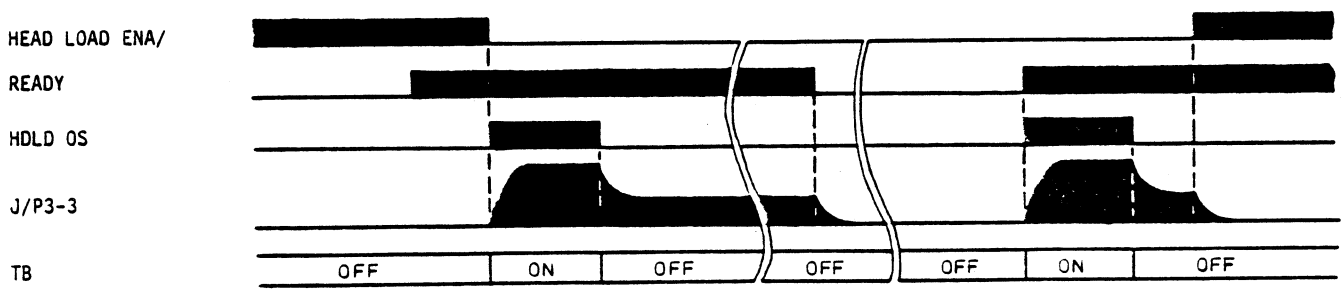


FIGURE 2 - 19 : HEAD LOAD TIMING DIAGRAM

2.3.8. ACTIVITY LED / DOOR LOCK LOGIC

This logic contains the driver, the jumper options and the door lock latch inside of the LSI-chip. Fig. 2 - 20 shows a circuit diagram of the complete logic.

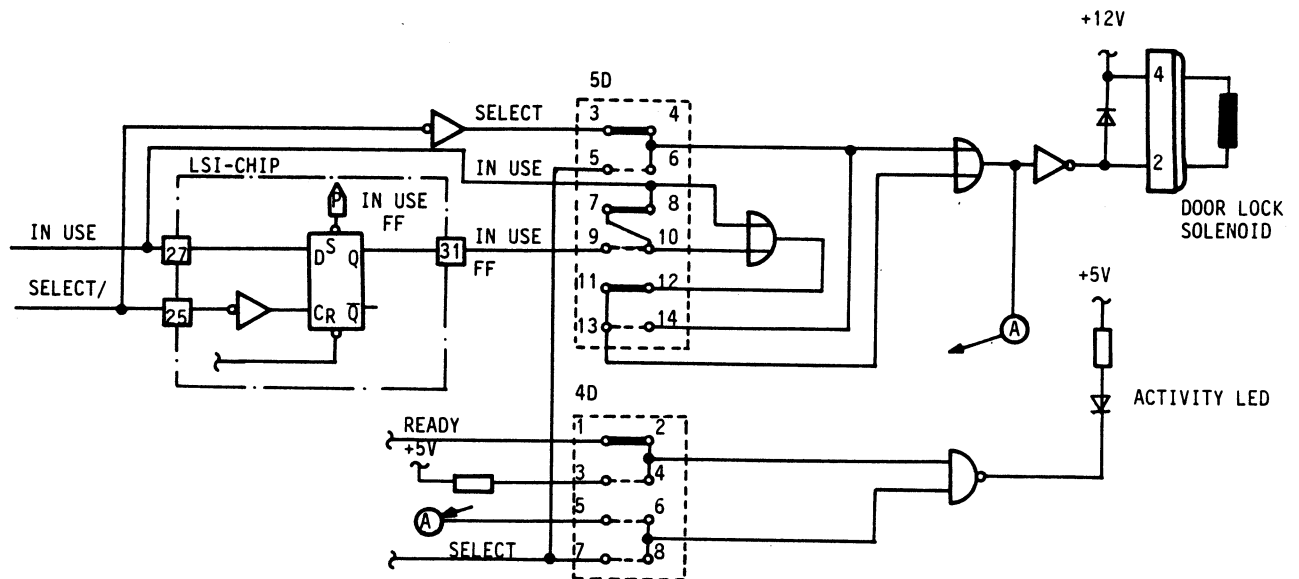


FIGURE 2 - 20 : ACTIVITY LED / DOOR LOCK LOGIC

2.3.8.1. DOOR LOCK LATCH OPTION

This option can be used by the host system, if the IN USE-signal is available. The door latch option allows the latching of the door lock solenoid under control of the SELECT and IN USE-signals, without maintaining the drive selected and without activating of the IN USE-signal. The IN USE-FF stores the state of the IN USE-signal with the selection of the drive (see timing diagram fig. 2 - 21). The door lock solenoid remains activated even if the mini disk drive is deselected and the IN USE-signal is deactivated. For unlocking of the door, the mini disk drive must be reselected with the IN USE-signal inactive. To enable the door lock latch option jumpers from 5D (9-10) and 5D (11-12) must be inserted.

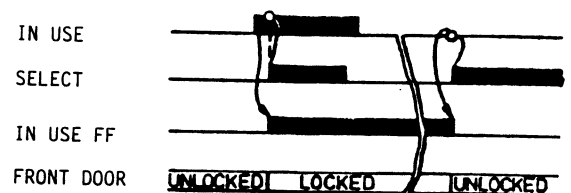


FIGURE 2 - 21 :
TIMING DIAGRAM DOOR LOCK LATCH OPTION

2.3.8.2. DOOR LOCK OPTIONS

There are a lot of possibilities to lock the front door :

1. - locking by the IN USE-signal
jumpers : 5D (11-12 ; 7-8 ; 13-14)
2. - locking by the door lock latch option
jumpers : 5D (9-11 ; 13-14)
3. - locking while the drive is selected
jumpers : 5D (3-4 ; 13-14)
4. - locking while the heads are loaded
jumpers : 5D (5-6 ; 13-14)
5. - if 1. or 2. is true (IN USE + IN USE FF)
jumpers : 5D (9-10 ; 11-12 ; 13-14)
6. - if 1. or 3. is true (IN USE + SELECT)
jumpers : 5D (3-4 ; 7-8 ; 11-12)
7. - if 1. or 4. is true (IN USE + HEAD LOAD)
jumpers : 5D (5-6 ; 7-8 ; 11-12)
8. - if 2. or 3. is true (IN USE FF + SELECT)
jumpers : 5D (3-4 ; 9-11)
9. - if 2. or 4. is true (IN USE FF + HEAD LOAD)
jumpers : 5D (5-6 ; 9-11)
10. - if 1. or 2. or 3. is true (IN USE + IN USE FF + SELECT)
jumpers : 5D (3-4 ; 9-10 ; 11-12)
11. - if 1. or 2. or 4. is true (IN USE + IN USE FF + HEAD LOAD)
jumpers : 5D (5-6 ; 9-10 ; 11-12)

2.3.8.3. ACTIVITY INDICATOR OPTIONS

For illuminating of the activity indicator, the following conditions are possible :

1. illuminated while ready and head is located (READY.HEAD LOAD)
jumpers : 4D (1-2 ; 7-8)
2. illuminated while ready and door is locked (READY.DOOR LOCKEN A)
jumpers : 4D (1-2 ; 5-6)
(for jumpering of the door lock, see 2.3.8.2.)
3. illuminated when the head is loaded (HEAD LOAD)
jumpers : 4D (3-4 ; 7-8)
4. illuminated when the door is locked
jumpers : 4D (3-4 ; 5-6)

2.3.9. TRACK ZERO DETECTOR

This logic generates the TRACK 00-signal when the read/write head is positioned at track zero. The host system uses this signal to recalibrate the positioning system. When the position of the read/write head is unknown, the host system sends step out pulses until TRACK 00/ goes low.

The track zero detector is comprised of the track zero switch, a comparator, a debounce circuit and a phase detector circuit, which detects the correct phase of the stepper motor. The track zero switch mounted on the deck assembly is activated by the head carriage. The logic circuit supports mechanical and optical track zero switches (see fig.2-22).

When the head carriage moves out, the track zero switch must be open before the read/write head reaches track four. When the head carriage moves to-

wards the track zero position, the track zero switch must close after track four and before track zero. The TRACK ZERO-signal will be active when the track zero switch is closed and phase A and phase C of the stepper motor are activated. SELECT must be high.

Fig. 2 - 23 shows the timing diagram when the host system attempts to step the head carriage beyond track zero. The mechanical stop on the spiral wheel prevents the read/write head from moving out further and holds it near track zero. But the TRACK 00-signal will be deactivated, because the stepper motor is in a wrong phase ($\emptyset B$, $\emptyset C$). If the host system sends three more step out pulses, the phasing of the stepper motor is correct again, the TRACK 00-signal is activated and the read/write head is positioned at track zero.

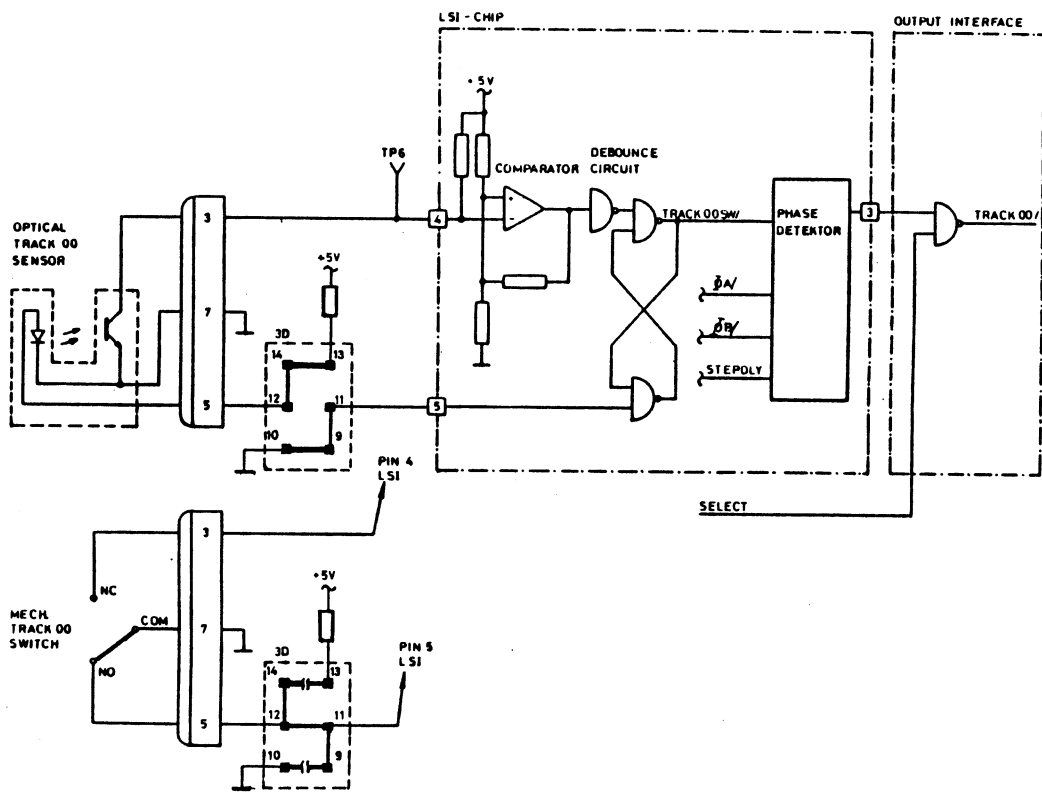


FIGURE 2 - 22 : TRACK ZERO DETECTOR

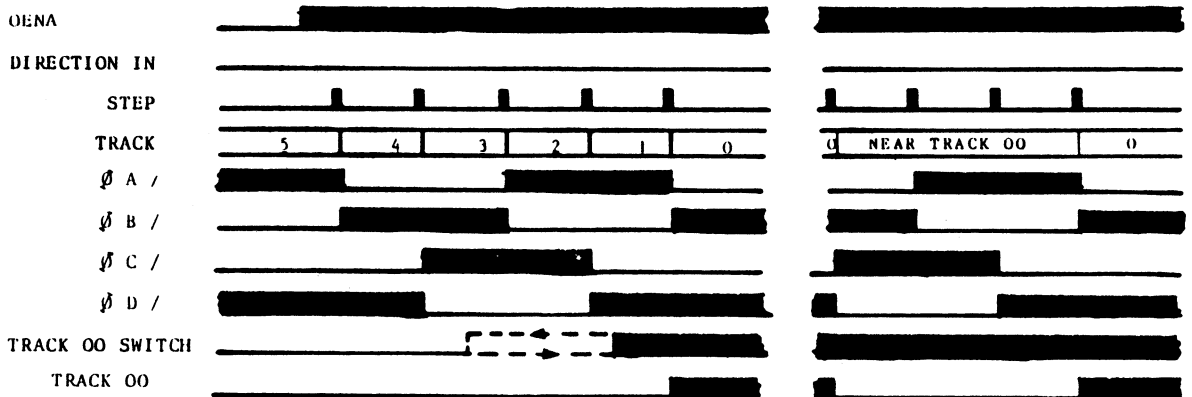


FIGURE 2 - 23 : TRACK ZERO - TIMING DIAGRAM

2.3.10. INDEX DETECTOR, SECTOR SEPARATOR AND READY MONITOR

2.3.10.1. INDEX DETECTOR

The index/sector detector comprises a phototransistor mounted on the deck assembly, a light emitting diode (LED) on the PCB and a comparator inside the LSI (see fig. 2 - 24). As the index hole or sector (optional) hole passes between LED and phototransistor, light from the LED is passed to the phototransistor. This results in a negative pulse of about 4 msec at the inverting input of the comparator.

The output pulse of the comparator is sent as INDEX signal to the host system when HARD SECTOR/ is high. If HARD SECTOR/ is low, the comparator output INDEX/SECTOR is separated into SECTOR- and INDEX-pulses by the sector separator option. In this case, hard sectored diskettes must be used.

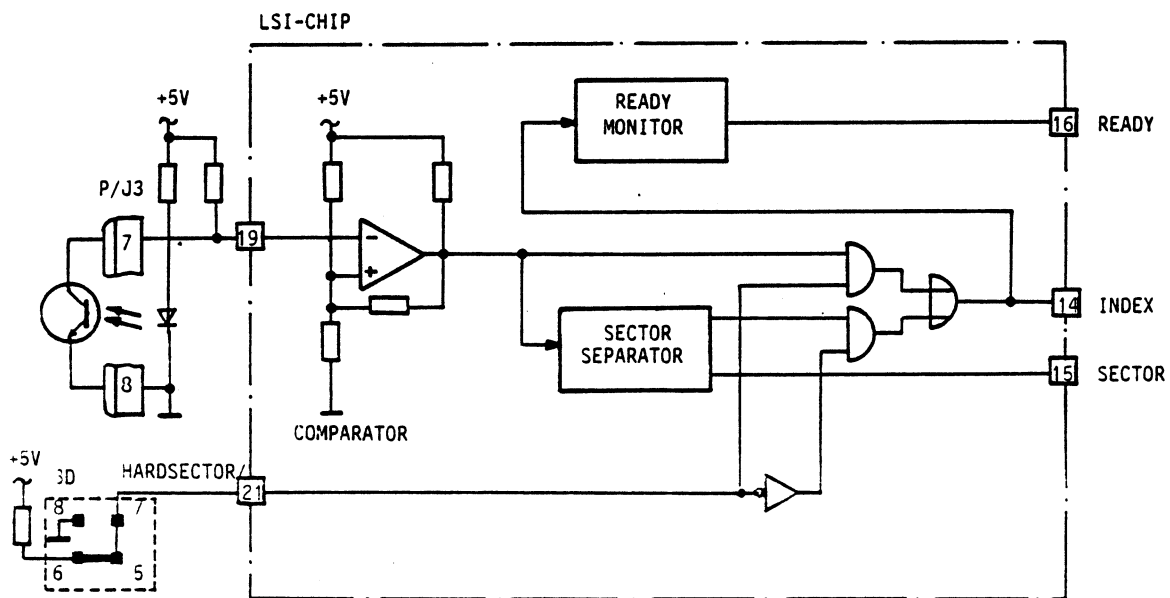


FIGURE 2 - 24 : INDEX DETECTOR

2.3.10.2. SECTOR SEPARATOR

The sector separator is used for hard sector applications only. A hard sectored mini diskette contains 10 or 16 sector holes and one index hole in the middle between two sector holes. The INDEX/SECTOR separator logic (see fig. 2 - 25) separates the INDEX pulse from the SECTOR pulses by the INDEX WINDOW

(11.25 ms one shot), which is triggered by the trailing edge of the 0.4 ms one shot pulses (see timing diagram fig. 2 - 26). The INDEX-pulse width is limited to 0.4 ms by the 0.4 ms one shot when the sector separator option is used.

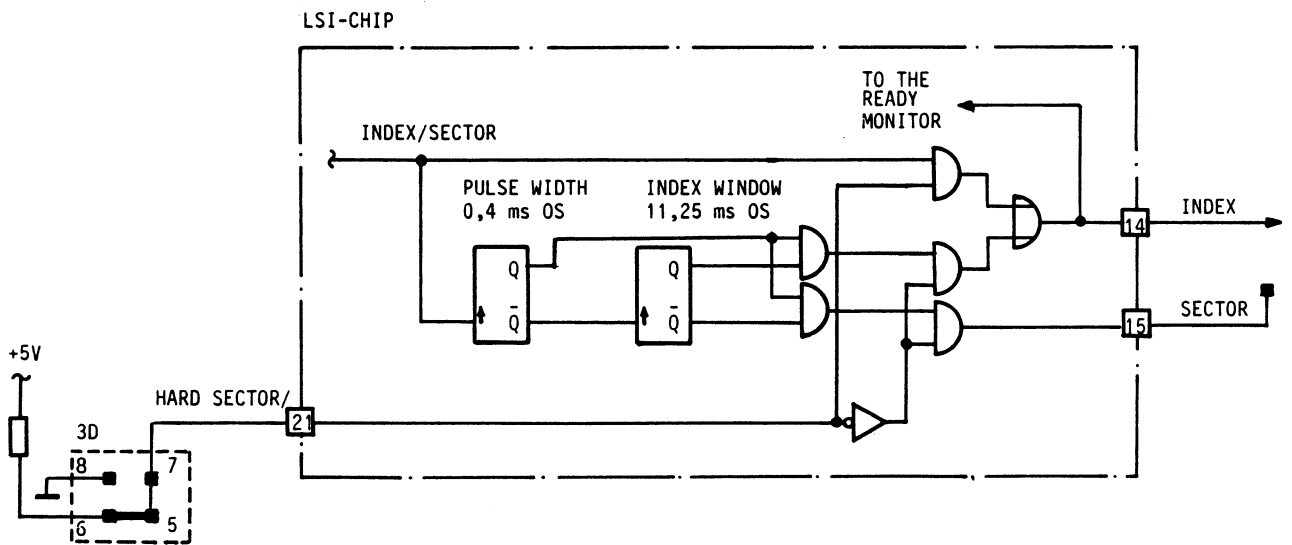


FIGURE 2 - 25 : SECTOR SEPARATOR

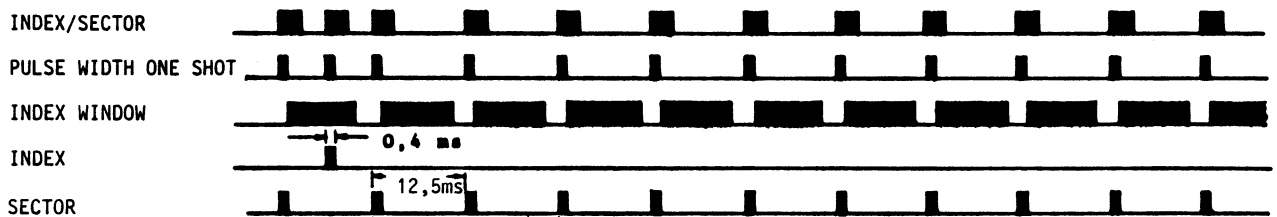


FIGURE 2 - 26 : TIMING DIAGRAM INDEX / SECTOR SEPARATOR

2.3.10.3. READY DETECTION

The ready detector (fig. 2 - 27) is used to monitor the INDEX pulses for the rotational speed of the disk. The INDEX pulses are input to the 430 msec hold-over-one shot. When the time between two consecutive INDEX pulses is greater than 430 msec, the index counter is held reset. If the time is less than 430 msec, the hold-over-one shot is held fired and enables the index counter.

READY is generated in two ways. If the drive motor starts (MOTOR ON = LOW) when the mini diskette has been already inserted, READY will be generated by

the first INDEX pulse which occurs in a shorter distance than 430 ms because the WRTPROT FF of the temporary motor on logic is low. When the mini diskette is just inserted and the temporary motor on logic starts the motor (WRTPROT-FF = high) or the motor is already spinning, the READY-signal will be generated by the second INDEX pulse in a shorter distance than 434 ms (see timing diagram fig. 2 - 28).

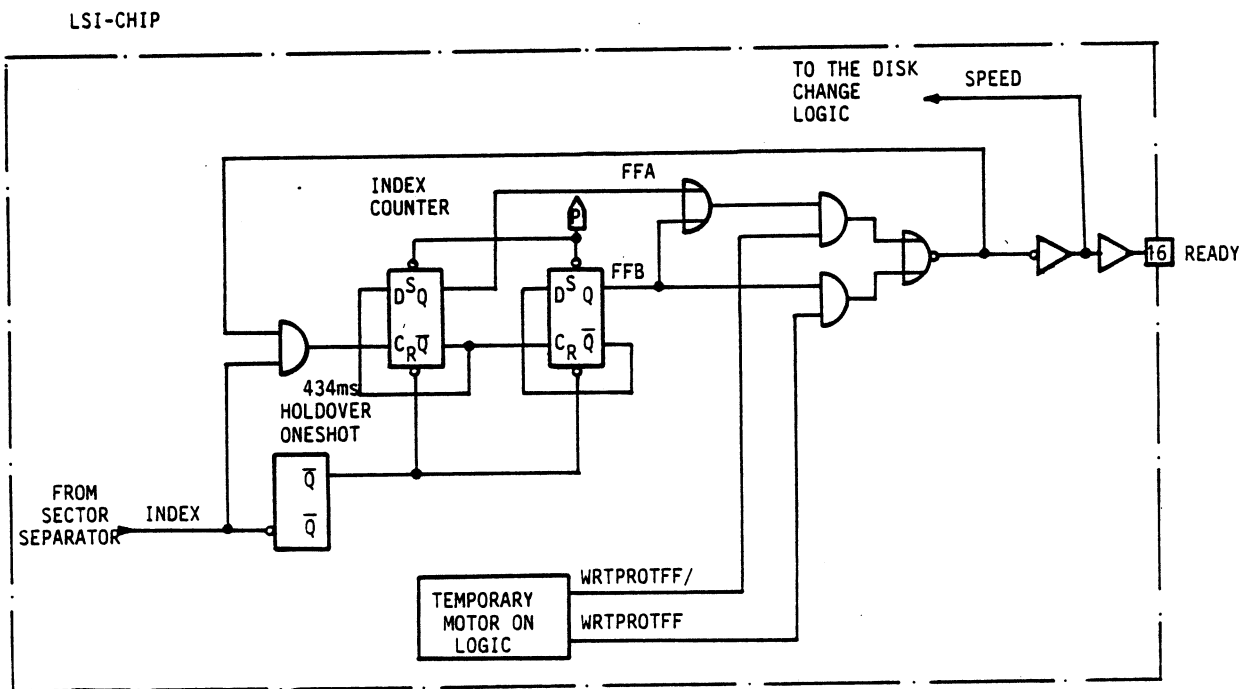


FIGURE 2 - 27 : READY DETECTOR

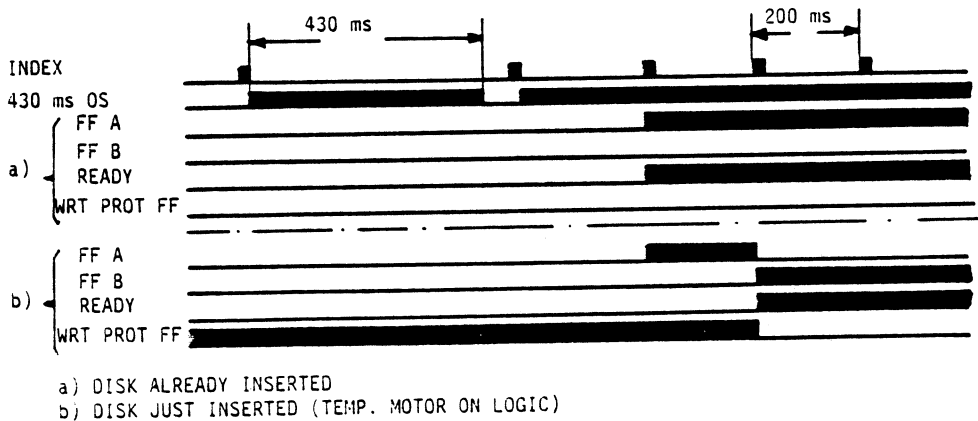


FIGURE 2 - 28 : READY TIMING

2.3.11. DISK CHANGE OPTION (fig. 2 - 29)

Pin 34 of the interface can be used for the disk change option when the IN USE signal is applied to input pin 4 or the IN USE option is not used. The DISK CHANGE signal notifies the host system that the mini disk has been changed even if the drive was deselected. As soon as the mini disk is unloaded, the speed detector will deactivate the SPEED-signal and the DISK CHANGE-FF is set. The DISK CHANGE signal is sent to the host system when the

drive is selected. The DISK CHANGE-FF will stay set when the new mini disk is loaded. To deactivate the DISK CHANGE signal, the host system must deselect the drive again. The DISK CHANGE-FF is then reset (see timing diagram fig. 2 - 30). The disk change option is enabled by a jumper from 4D (11-12).

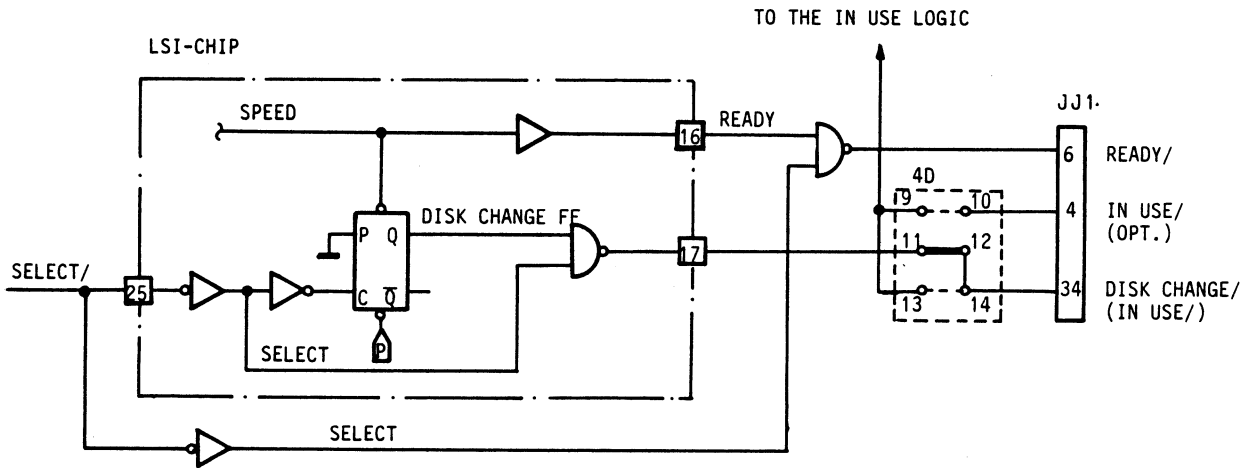


FIGURE 2 - 29 : DISK CHANGE LOGIC

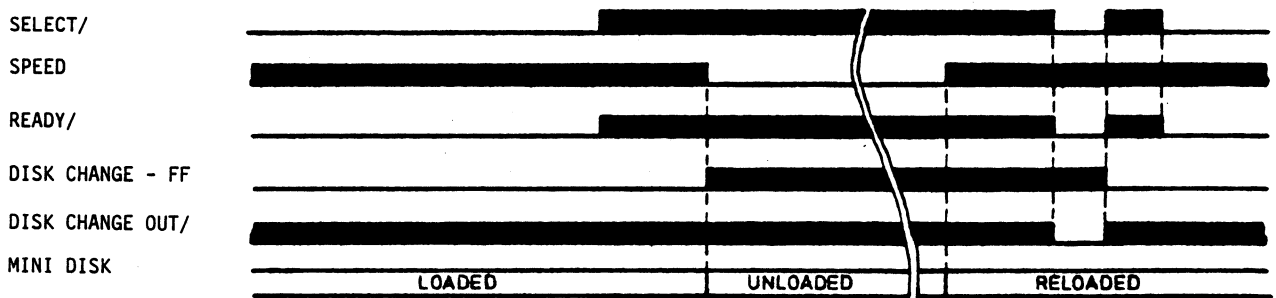


FIGURE 2 - 30 : TIMING DIAGRAM DISK CHANGE LOGIC

2.3.12. SIDE SELECT LOGIC

The side select logic is used by the double sided mini disk drive (BASF 6108) and selects either head 0 or head 1, depending whether the SIDE 1-signal from the input interface is high or low. The side select logic in fig. 2 - 31 consists of two head select switches (T 11, T 12 and associated circuits) and a diode matrix (D1, 2, 11, 12, 16, 17). If the SIDE 1-signal is low, transistor T 12 is on and head 0 is selected. The signal COM0/ is at ground and generates a forward bias to the diodes D 11, D 12 and D 16.

In a read operation, the read signal induced in the read/write coils of head 0, is transferred through the diodes D 11, D 12 to the read circuits. In a write operation, the write current generated in the write circuits flows through these diodes into the read/write coils. The erase current is fed to the erase coil by the diode D16. At the same time, the diodes D 1, D 2 and D 17 are blocked, because transistor T 11 is off. Transistor T 11 will be on when SIDE 1 is high and head 1 is activated.

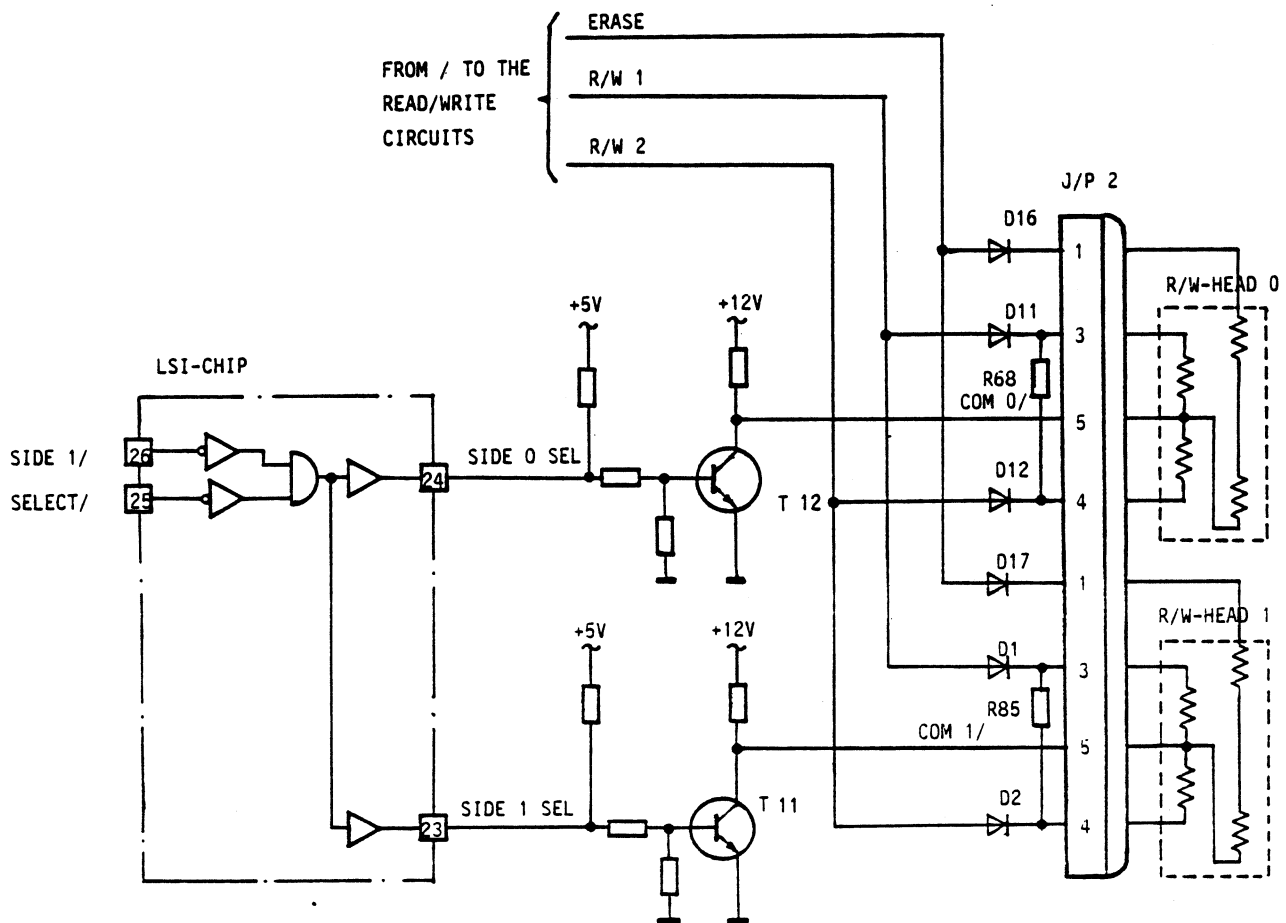


FIGURE 2 - 31 : SIDE SELECT LOGIC

2.3.13. READ/WRITE HEADS

The read/write heads used in the BASF 6106/6108 disk drives are tunnel erase type heads. Data is recorded at a flux density of 3536 to 5536 flux changes per inch (fci).

The nominal frequencies on the read/write head are 62.5 kHz and 125 kHz when FM recording technique and 62.5 kHz, 125 kHz and 83.3 kHz when MFM recording is used. In FM mode, the nominal distance between flux reversals is 4 μ s or 8 μ s. In MFM 6 μ s flux reversal spacings are also encountered.

The radial density is 48 tracks per inch (tpi). This gives 0.0208 inch nominal track to track spacing. The tunnel erase gaps trim the track width from 0.014 inch after write to 0.013 inch after erase (see fig.2-32).

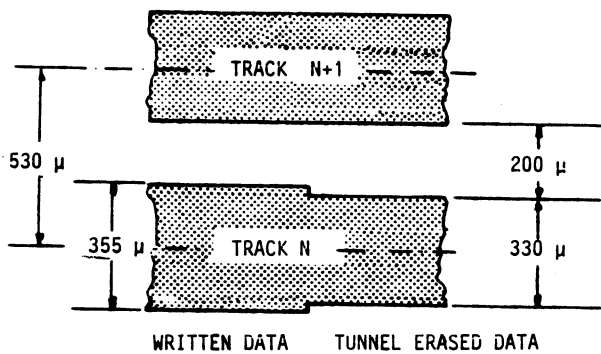


FIGURE 2 - 32 : TRACK GEOMETRY

The read/write head contains three coils : two read/write coils and the erase coil (see fig. 2 - 33). The erase coil is energized during each write operation and limits the track width and provides low noise guard bands on each side of the recorded track. The two read/write coils are wound on a single core and are center tapped. The electrical connections of the read/write head are shown in fig. 2 - 33. During a write operation, the write current will be directed alternately to one of the two read/write coils by a flipflop. This causes a flux change each bit to be written. The old data on the track will be overwritten by the new data stream.

On a read operation, an output voltage is induced in the read/write head by each flux change that passes the gap of the read/write head. This voltage is used by the read circuits to recover the written data.

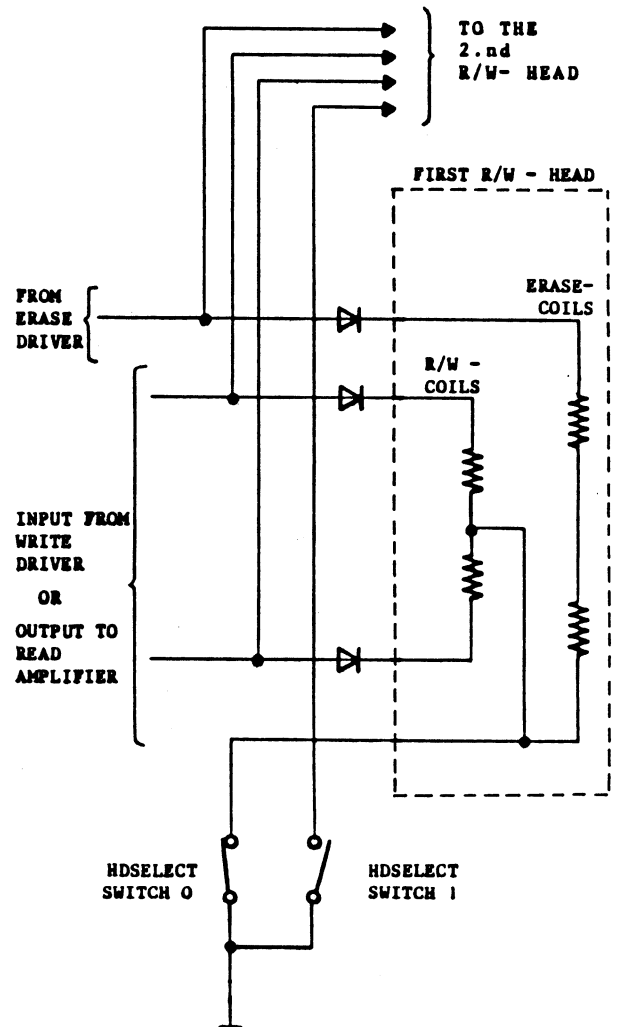


FIGURE 2 - 33 :

ELECTRICAL CONNECTION OF THE READ/WRITE HEAD

2.3.14. WRITE CIRCUITS

2.3.14.1. WRITE INITIATE

The write circuits encode serial data from the host system to magnetic flux patterns recorded on the flexy disk. A write operation is initiated by the host system activating the following input lines (see fig. 2 - 34).

- SELECT/ : selects the drive and loads the head if no head load option is installed
- MOTOR ON/ : rotates the mini disk
- WRITE GATE/ : turns on the write circuits
- WRITE DATA/ : encoded write data
- HEAD LOAD/ : loads the head if head load option is used

2.3.14.2. WRITE LOGIC

A simplified logic of the write circuit is shown on fig. 2 - 35. The write circuits are activated by WRTENA/ which is active when the host system sends WRITE GATE. The drive must be selected and the disk not write protected. The data stream from the host system is divided by the write flipflop. It alternately turns on transistors T3 and T4 (see fig. 2-36). The write currents I_{W1} and I_{W2} , which are determined by the resistor R 35 flow then alternately through the windings W_1 and W_2 .

The write current and erase current can be blocked by the DC-control logic, if a power failure has been detected. The erase current I_E is turned on by transistor T5 when ERASENA/ is low. The write and erase current are blocked by the DC-control logic if a power failure occurs.

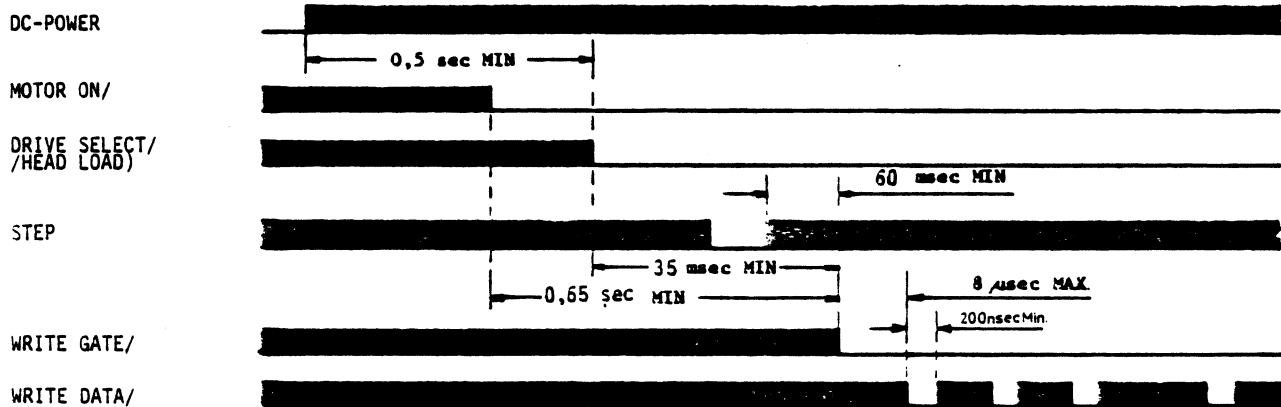


FIGURE 2 - 34 : WRITE INITIATE TIMING

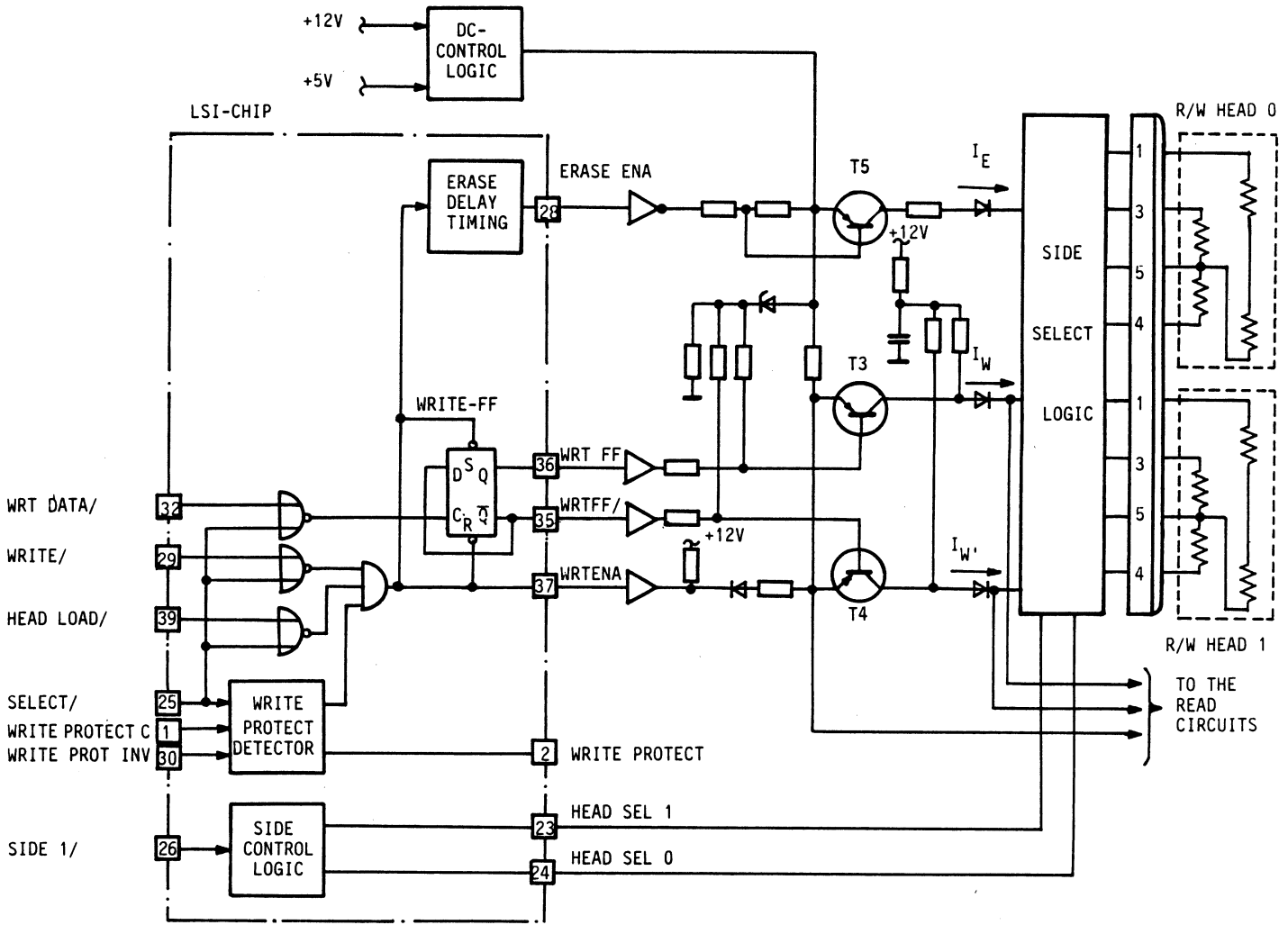


FIGURE 2 - 35 : SIMPLIFIED WRITE CIRCUITS BASF 6106/6108

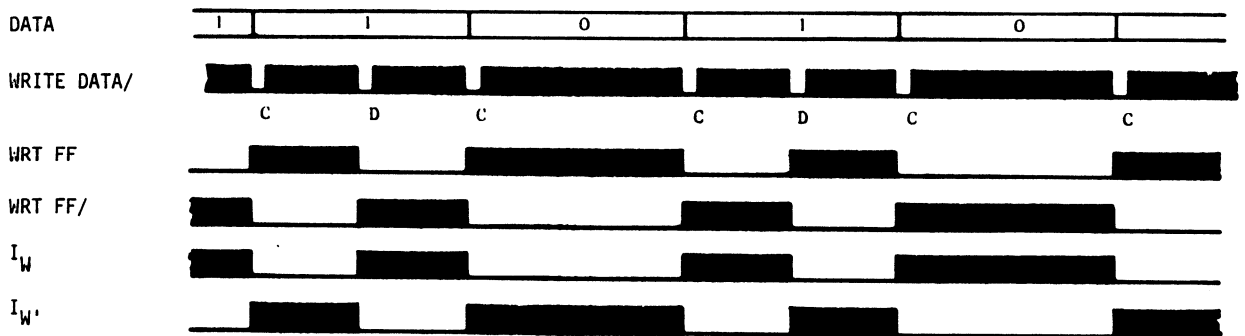


FIGURE 2 - 36 : TIMING DIAGRAM - WRITE OPERATION FM (SIMPLIFIED)

2.3.14.3. ERASE DELAY LOGIC

The erase current must be switched on (off) a certain delay after the write current has been switched on (off). This delay is necessary, because tunnel erase type read/write heads are used. The erase delay logic in the LSI comprises two one shots, one for the erase

on delay time, the other for the erase off delay time and the ERASE ENA-FF (see figure 2 - 37). The ERASE ENA-FF which the erase current turns on is reset during power on by the PWR ON*R/-signal. It is set when the ERASE ON DLY - one shot times out and is reset when the ERASE OFF DLY - one shot times out (see figure 2 - 38).

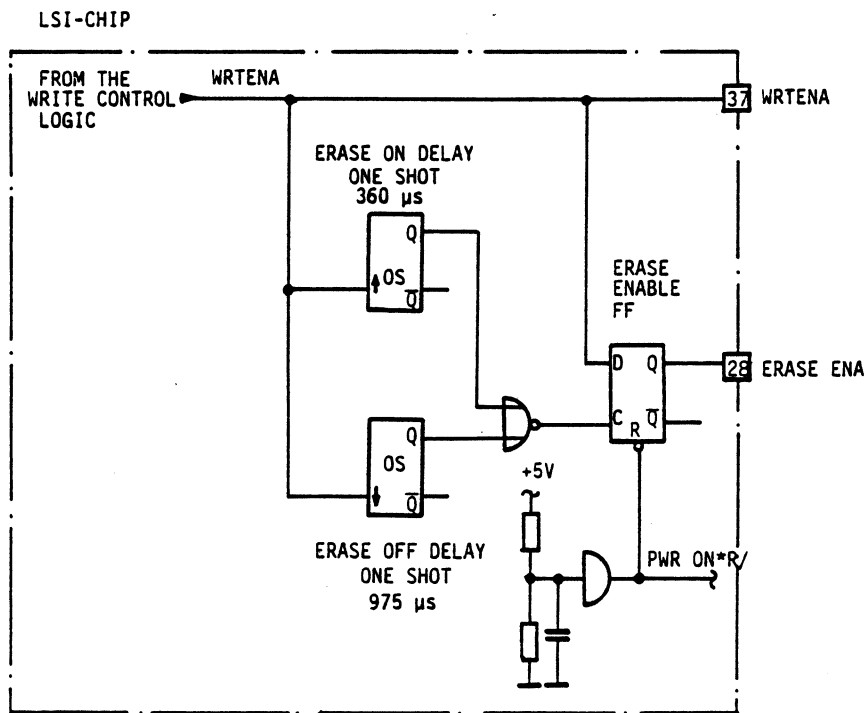


FIGURE 2 - 37 : ERASE DELAY LOGIC

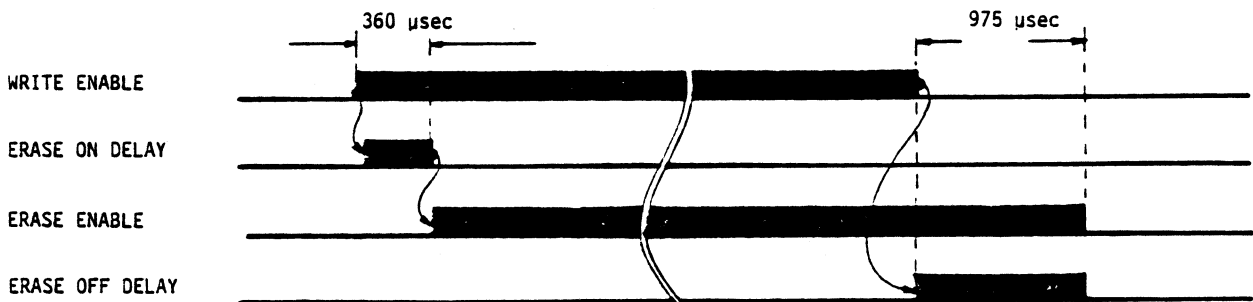


FIGURE 2 - 38 : ERASE DELAY TIMING

2.3.14.4. WRITE PROTECT DETECTOR

The write protect detector (fig. 2 - 39) is implemented like the index detector. A LED and a photo transistor are used with a comparator circuit to detect the write protect notch in the flexy disk. When a flexy disk with an open notch is inserted, the photo transistor will sense the light of the LED causing the negative input of the comparator to go low and the output of the comparator "NOTCH OPEN" will be high. The setting of the write protect inverse option jumper decides, whether writing is allowed or not (see the following table).

If WRITE INHIBIT is high, the WRITE ENABLE-signal is disabled. The mini disk drive is now unable to write even if the host system will activate the WRITE/ interface line. The WRITE PROTECT/-signal is sent to the host system when SELECT is high. The WRITE PROTECT line informs the host system, that a write protected flexy disk is inserted. If an unprotected flexy disk is inserted, WRITE PROTECT/ will be inactive and write operations are allowed.

| JUMPER 2D (1-2) | NOTCH COVERED | NOTCH OPEN | REMARKS |
|-----------------|---------------|-------------|----------|
| INSERTED | unprotected | protected | optional |
| OPEN | protected | unprotected | ECMA |

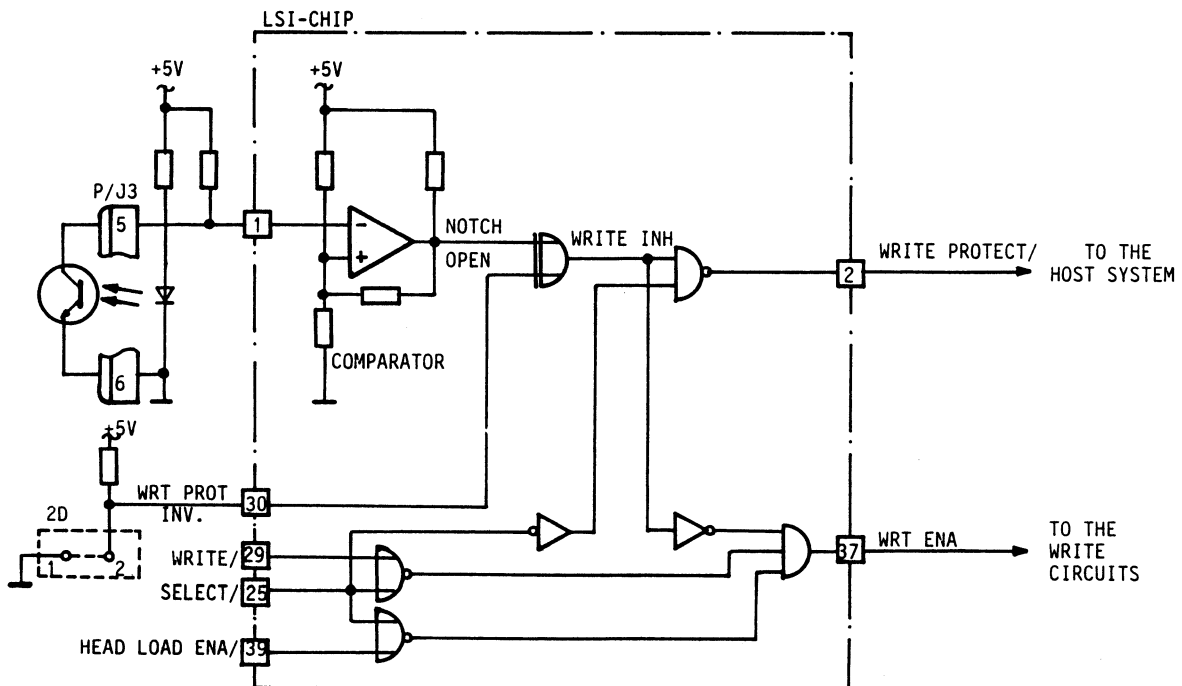


FIGURE 2 - 39 : WRITE PROTECT DETECTOR

2.3.15. READ CIRCUITS

2.3.15.1. READ INITIATE AND READ BLOCK DIAGRAM

The read circuits recover data recorded on the flexy disk by a write operation. A read operation is initiated from the host system by activating the following lines :

- SELECT/ : selects the drive and loads the head if auto head load option is used
- MOTOR ON/ : rotates the flexy disk

- HEAD LOAD/ : loads the head if head load option is used
- SIDE SELECT/ : selects head 0 or 1

The signal WRITE GATE/ must be inactive to enable the read circuits. Fig. 2 - 40 shows the read initiate timing. The read circuits shown on fig. 2 - 41 comprise an integrated read amplifier and the necessary external components.

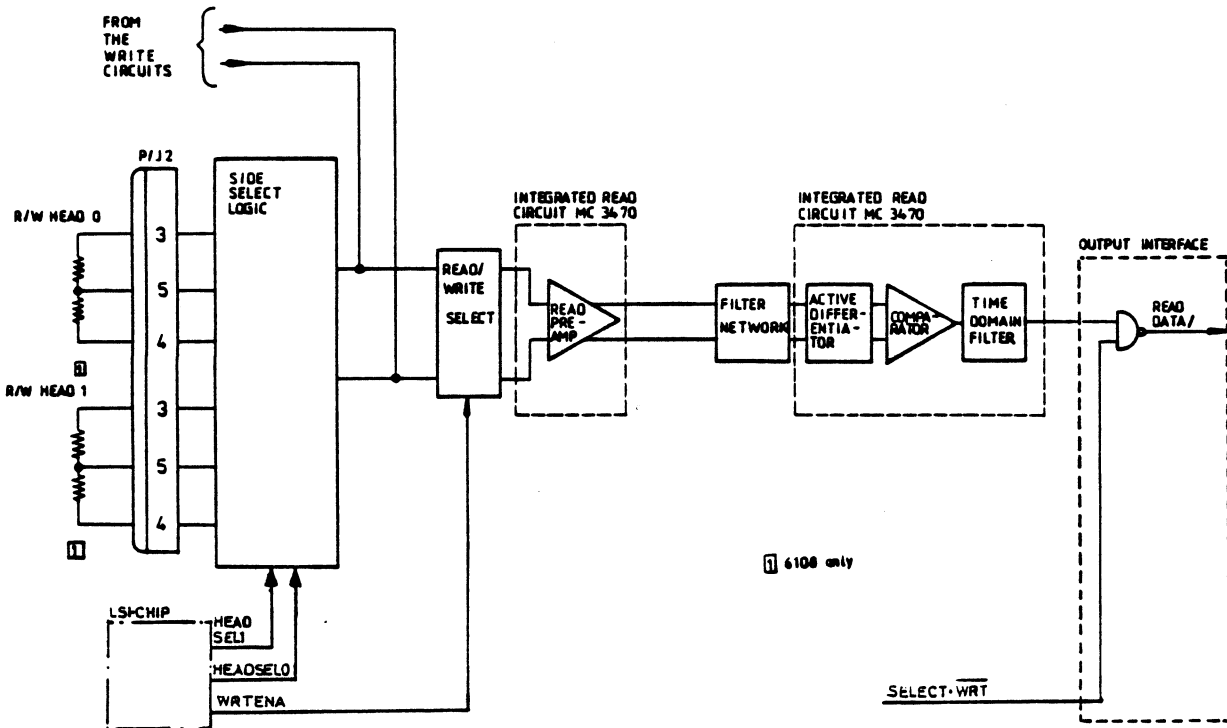


FIGURE 2 - 40 : READ CIRCUITS BASF 6106/6108 (SIMPLIFIED)

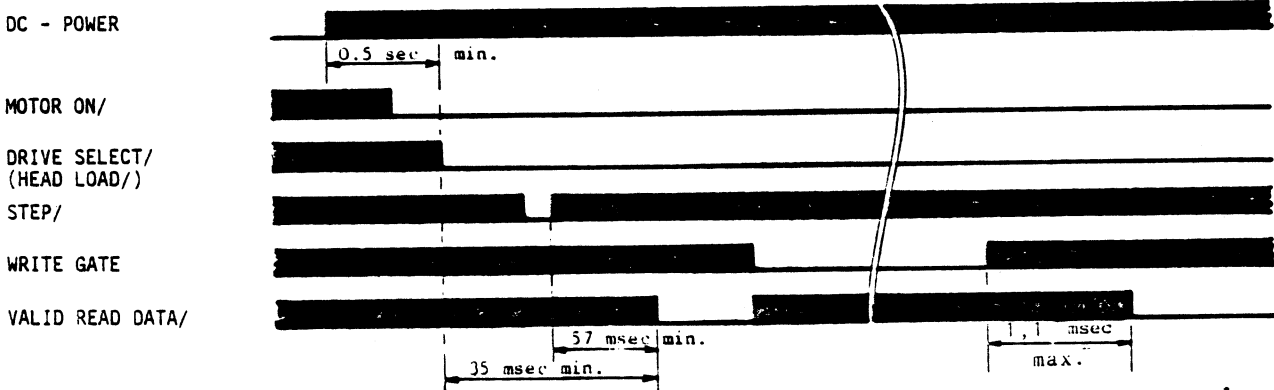


FIGURE 2 - 41 : READ INITIATE TIMING

2.3.15.2. READ/WRITE SELECT

The read/write select circuit consists of two MOS-FET switches. The inputs of the switches are connected to the read/write coils of the selected read/write head. The outputs of the switches are connected to the read preamplifier (see fig. 2 - 42).

When the disk drive is operating in the WRITE-mode, WRTENA:01 is high and T6 and T7 are open. The read/write coils are disconnected from the read preamplifier. In the READ-mode WRTENA:01 is low, the output signal of the selected read write head is switched to the read preamplifier.

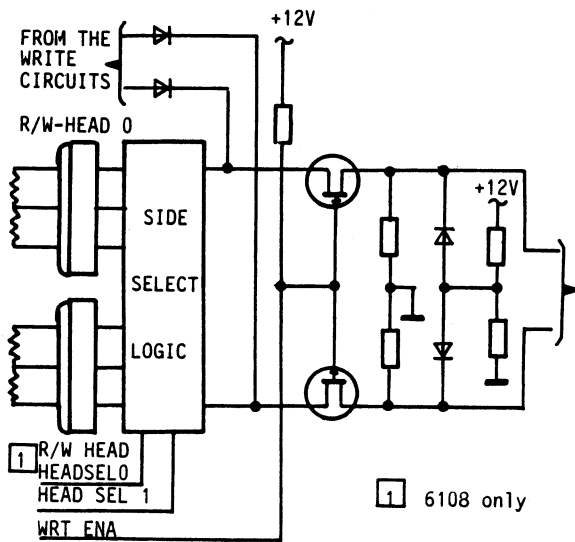


FIGURE 2 - 42 : READ/WRITE SELECT LOGIC

2.3.15.3. READ AMPLIFIERS AND FILTER NETWORK (FIG. 2 - 43)

For amplification of the read signal, a high gain linear amplifier of the read LSI is used. The read signal is amplified by a gain of ~ 100 . The amplifier outputs are used to drive a filter network. The filter is a linear phase low pass and has a -3db bandwidth of 400 kilohertz.

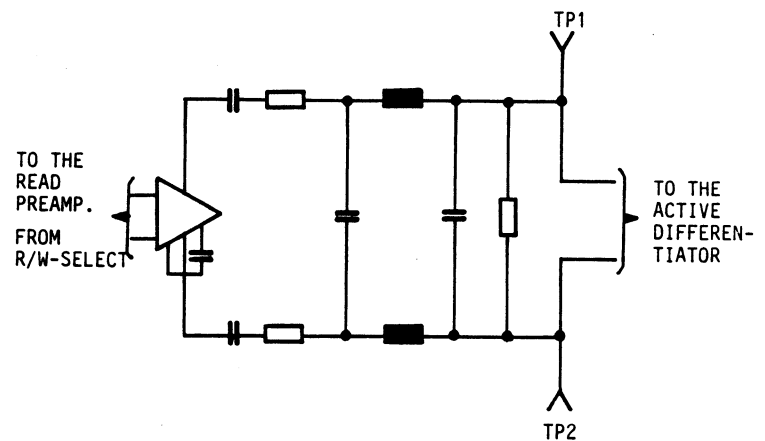


FIGURE 2 - 43 :
READ PREAMPLIFIER AND FILTER NETWORK

2.3.15.4. ACTIVE DIFFERENTIATOR AND COMPARATOR

Both circuits are part of the read LSI MC 3470. A simplified circuit is shown on fig. 2 - 44. The active differentiator is implemented by a differential amplifier with capacitor coupled emitters. The current through this capacitor and also through the collector resistor will be a derivative of the input voltage.

$$I_C = C \cdot \frac{dV_{in}(t)}{dt}$$

Also the output voltage V_0 of the differential amplifier will be a derivative of the input voltage.

$$V_0 = 2 R \cdot I_C = 2 R C \frac{dV_{in}(t)}{dt}$$

The output voltage V_0 is applied to the comparator which provides zero crossing detection of the waveform. Since the capacitor shifts the current $\sim 90^\circ$ to the input voltage peak detection of the input voltage is performed. Fig. 2 - 46 shows a timing diagram of the differentiator and comparator circuit.

2.3.15.5. TIME DOMAIN FILTER AND CROSSOVER DETECTOR

The purpose of the time domain filter is to suppress false crossovers of the comparator caused by shouldering in the differentiated read signal. This can happen on outer tracks of high resolution disks when high resolution heads are used : the time domain filter contains a pulse generator, the time domain one shot and the time domain flipflop (see fig.2-45) and is part of the integrated read LSI. The pulse generator generates a short pulse for each transition on its input. These pulses are used to trigger the time domain one shot. The pulse duration of the time domain one shot is determined by an external RC-combination and is set to less than 2 μ sec for the BASF 6106 and 6108. The state of the comparator output is loaded into the time domain flipflop by the trailing edge of the time domain one shot 2 μ sec later (see fig. 2 - 46). Because false zero crossings always exist for a shorter time, the time domain flipflop will not change when it is clocked by false crossovers.

The crossover detector consists of a bidirectional one shot which is triggered by each transition of the time domain flipflop. The pulse width of the crossover detector can be adjusted by external elements. For the BASF 6106 and 6108, the output pulses (READ DATA/) of the crossover detector are set to 500nsec.

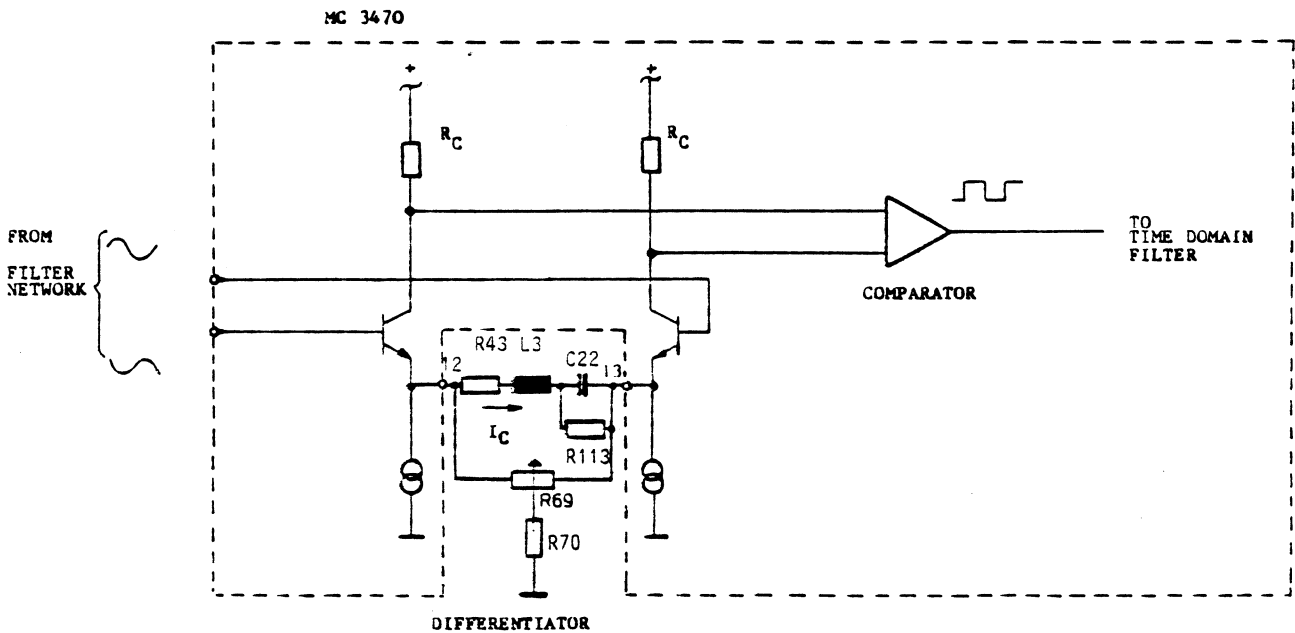


FIGURE 2 - 44 : ACTIVE DIFFERENTIATOR AND COMPARATOR

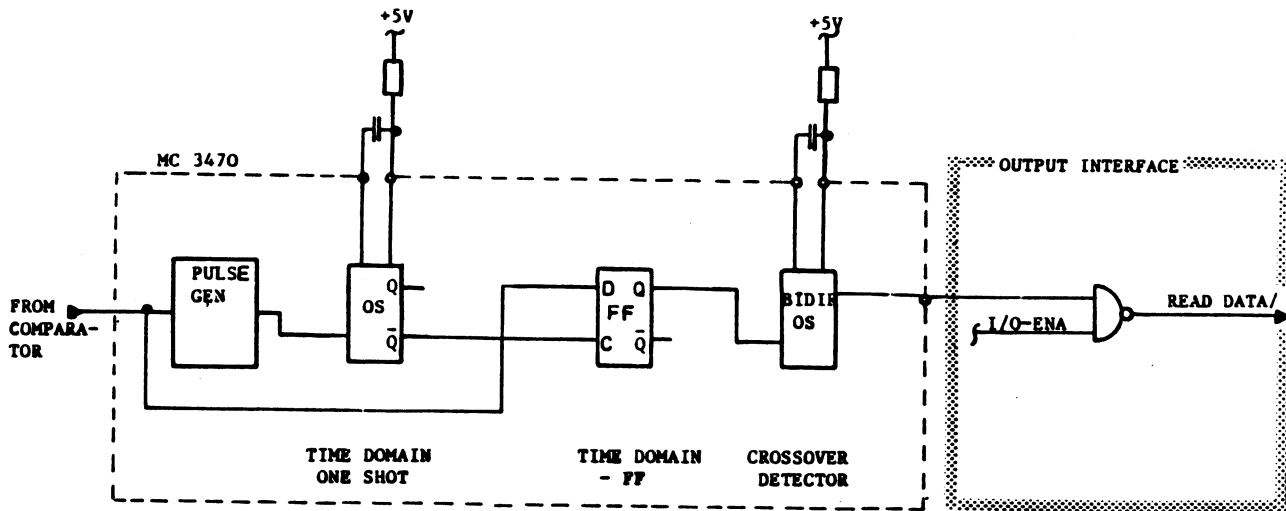


FIGURE 2 - 45 : TIME DOMAIN FILTER AND CROSSOVER DETECTOR

2.3.15.6. TIMING DIAGRAM READ CIRCUIT

Figure 2 - 46 is a timing diagram of the read circuits and illustrates the functions described above.

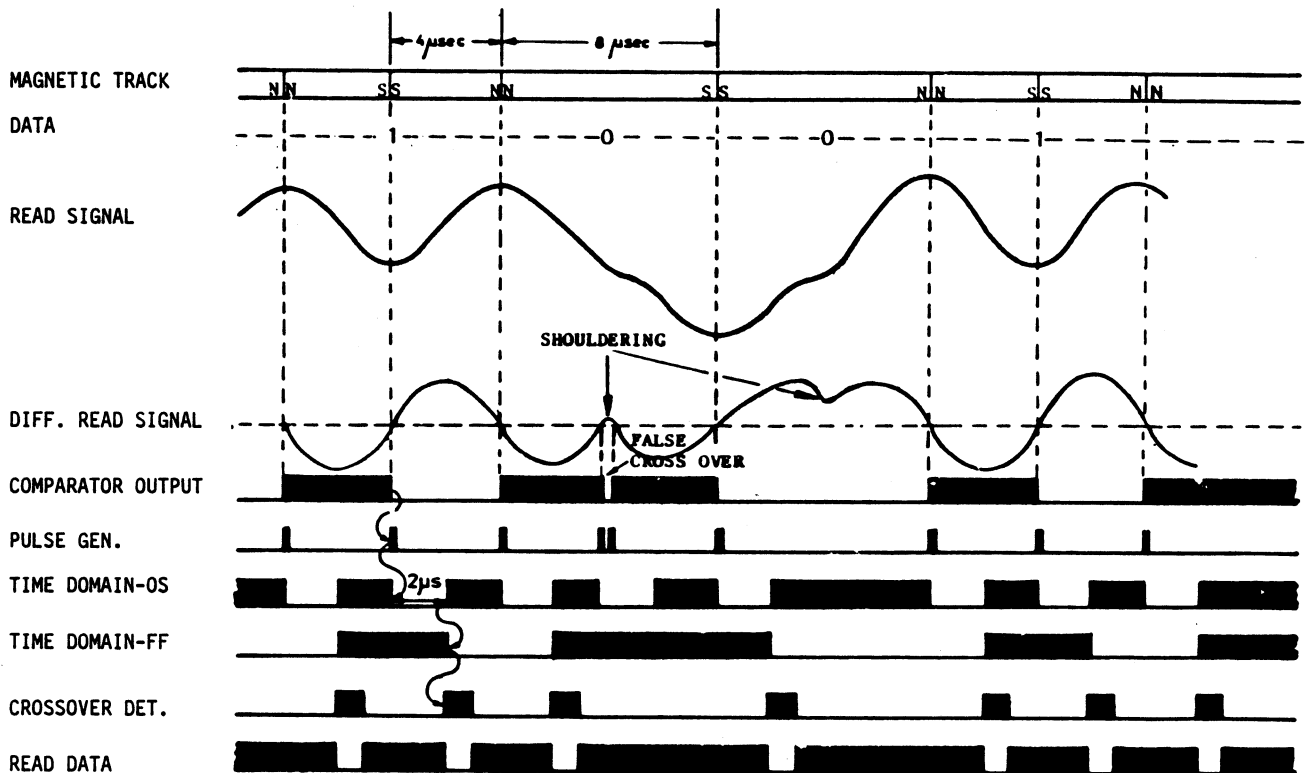


FIGURE 2 - 46 : TIMING DIAGRAM READ CIRCUIT

2.3.16. DC-CONTROL

The DC-control logic is shown on fig. 2 - 47. This logic monitors the DC-voltages +5V and +12V and disables the write and erase current source, if one of these voltages is missing or out of the following limits :

If +5V falls below 4,3V, DC-CONTROL goes high and disables T2.

If +12V falls below +9V, T2 is also blocked and the write and erase current inhibited.

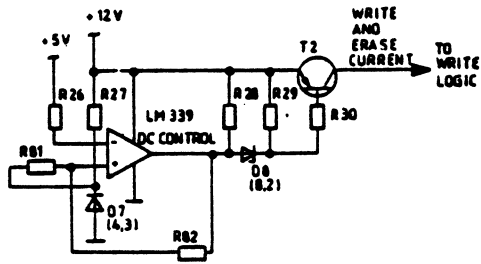
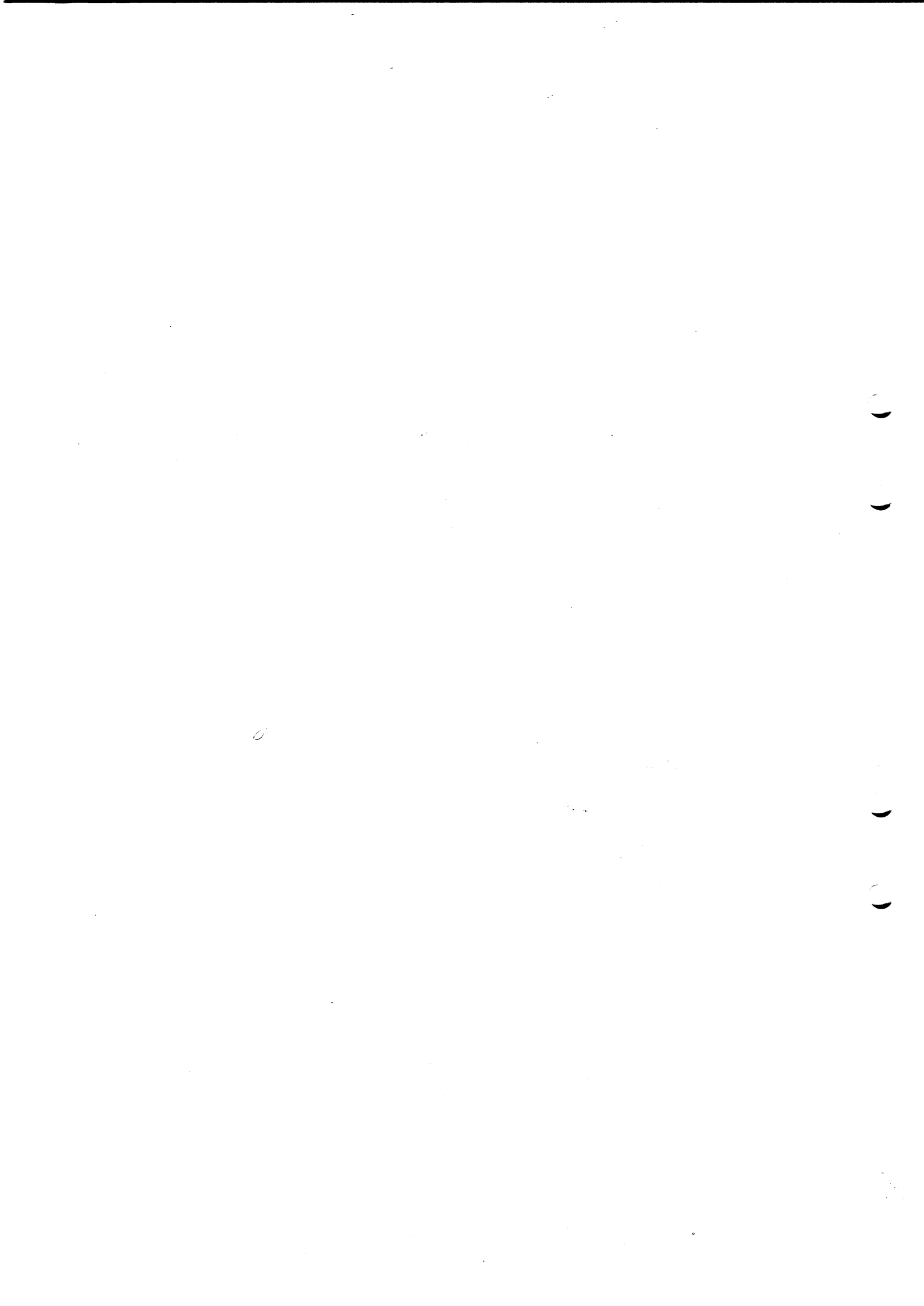


FIGURE 2 - 47 : DC-CONTROL LOGIC

SECTION III.
INSTALLATION AND OPERATION



3.1. INSTALLATION

3.1.1. GENERAL

This section provides informations for installation and configuration of the mini disk drive.

3.1.2. UNPACKING AND INSPECTION

The mini disk drive is packaged in a heavy duty container, designed to ensure adequate protection during shipping and handling (see figure 3 - 1). When the mini disk drive is installed, store the container and all packing material for possible future use. Use the following procedure during unpacking and inspection :

- Remove contents of shipping container and inspect for in-transit damage. If damage is evident, notify the carrier and BASF. Specify nature and extent of the damage ;
- Verify that content of shipping container agrees with shipping list. Notify a BASF representative if anything is missing ;

- Verify that model designation and serial number agree with those on the shipping invoice ;

BASF 6108 :

- Inspect assemblies for loose hardware. Tighten hardware if necessary ;
- Remove red retainer ;
- Remove shipping disk ;
- Store shipping disk, red retainer and containers for a possible future use.

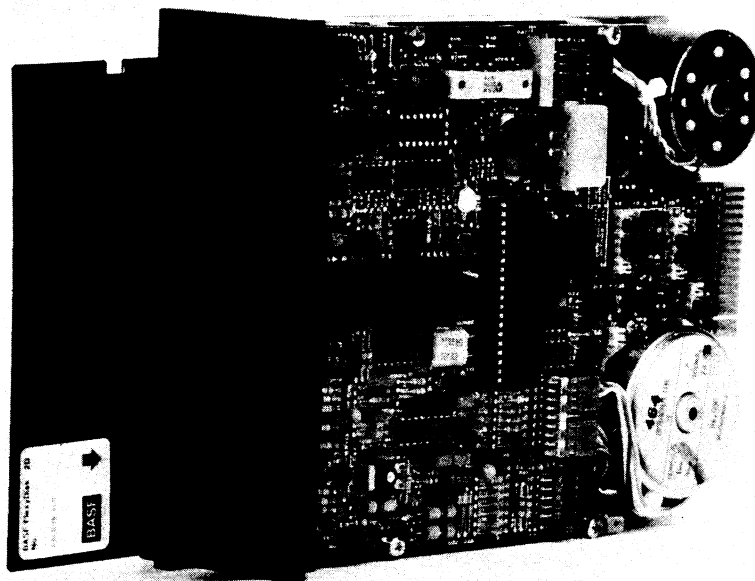


FIGURE 3 - 1 : BASF 6108 DRIVE EQUIPPED WITH SHIPPING PROTECTION

3.1.3. CONNECTING CABLES

The mini disk drive is connected to the host system by two connecting cables, the DC-cable and the interface cable. The DC-cable requires direct connection to each drive, regardless of connecting configuration. The interface cable is connected to the various connecting configurations (see 3.1.6.) and should not exceed 10 feet in length.

3.1.4. CONNECTORS

3.1.4.1. DC-CONNECTOR

DC power is connected to the disk drive through connector J5. The input pin assignments and voltage requirements are listed in table 3 - 1.

| PIN No. | DC VOLTAGE | TOLERANCE | CURRENT | MAX. RIPPLE (p - p) |
|---------|------------|-------------|---------------------|---------------------|
| 1 | + 12 V | $\pm 0.6 V$ | ^{+) 1.75A} | 100 mV |
| 2 | + 12V RET | - | - | - |
| 3 | + 5V RET | - | - | - |
| 4 | + 5 V | $\pm 0.25V$ | 0.7 A | 50 mV |

+) Plus 0.65 A motor starting current for max. 50 msec.

Voltages to be measured on testpoints on drive PCB.

TABLE 3 - 1 : DC-POWER REQUIREMENTS

The return lines for +12V and +5V (pins 2 and 3) should be separate lines and must be connected together in the system. DC power input connector J5 is mounted on the component side of the PCB beside the stepper motor (see figure 3 - 9). The 4 pin connector is BASF P/N 88359-001 (see figure 3 - 2) and is soldered directly to the PCB. The recommended mating connector is AMP P/N 1-480424-0 is using pins P/N 60619-1.

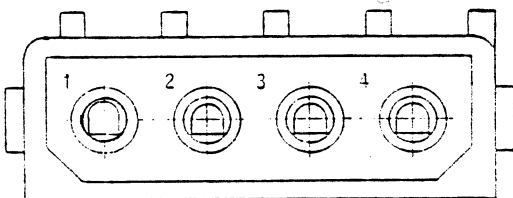


FIGURE 3 - 2 : DC-CONNECTOR

3.1.4.2. SIGNAL CONNECTOR

The signal cable is connected to the mini disk drive through connector J1. Connector J1 is a 34 pin PCB edge card connector located at the rear of the disk drive. The pins are numbered from 1 to 34 with the even pins on the component side. Pin 2 is located closest to the stepper motor and is marked. A key-slot is provided between pins 4 and 6 for optional connector keying. Recommended mating connectors for J1 are listed in table 3 - 2.

| CABLE TYPE | MANUFACTURER | CONNECTOR P/N | CONTACT P/N |
|-------------------|--------------|---------------|-------------|
| FLAT CABLE | SCOTCHFLEX | 3463-0000 | NA |
| | | 3463-0001 | NA |
| TWISTED PAIR # 26 | AMP | 583717-5 | 1-583616-1 |

TABLE 3 - 2 : RECOMMENDED J1 MATING CONNECTORS

3.1.4.3. FRAME CONNECTOR

The mini disk drive must be frame grounded to the host system to insure proper operation. A fast on tab is provided on the drive near to the stepper motor. A fast on connector with AC ground from the host system can be attached or soldered if the mini disk drive is not fastened directly to the frame of the host system with a good AC ground. The tab is Grothe-Hartmann 17132 and its mating connector is Grothe-Hartmann 123211.

3.1.4.4. INTERCONNECTING DIAGRAM

Figure 3 - 3 is provided as an interconnecting diagram showing the connections directly to or from the PCB. Connectors J2, J3 and J6 are for internal drive use, connector J1 and J5 are from the controller.

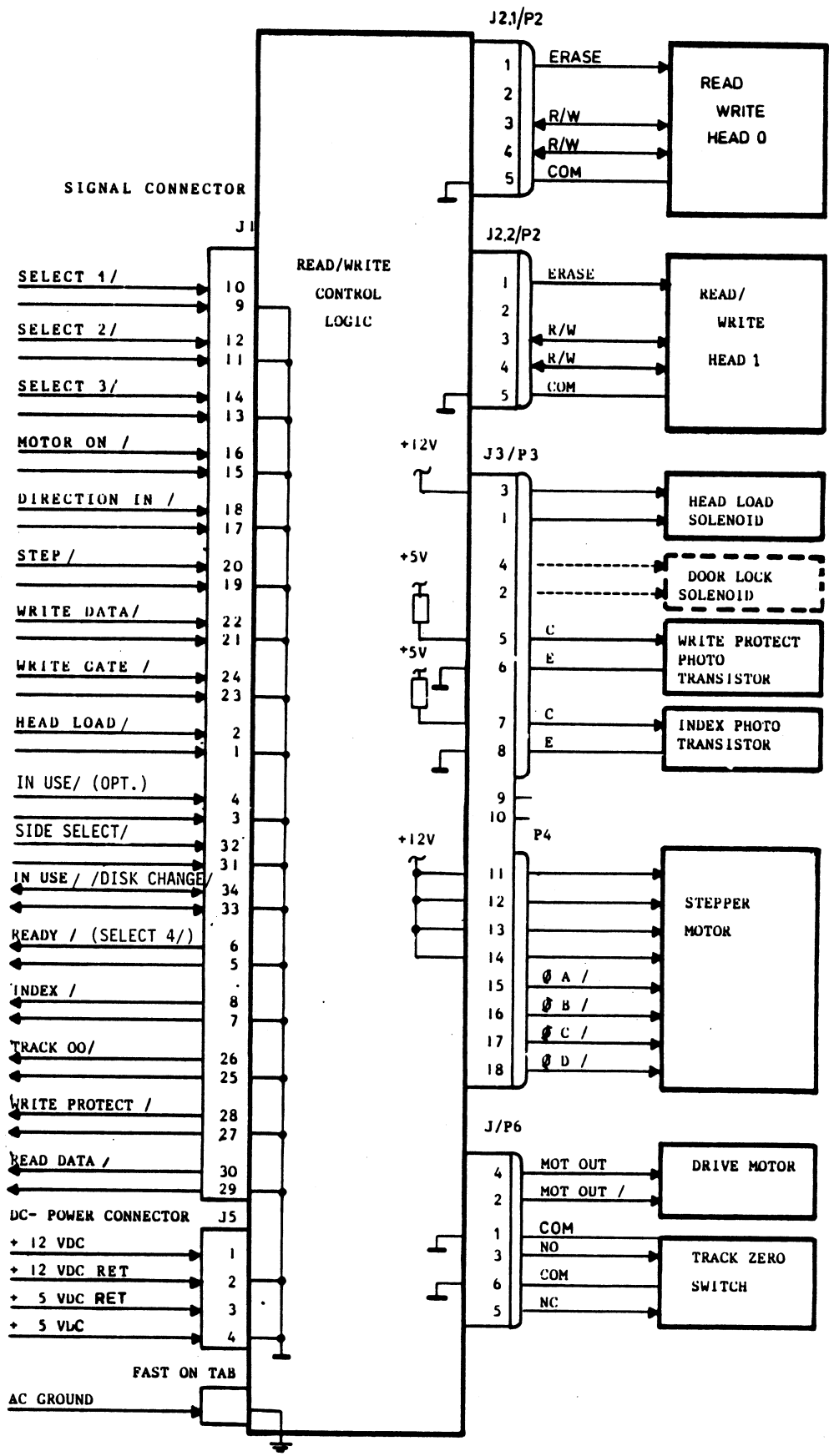


FIGURE 3 - 3 : INTERCONNECTING DIAGRAM

3.1.5. LOGIC LEVELS AND TERMINATION

Interface signals to and from connector J1 have the logic levels represented by figure 3 - 4. All signal inputs are terminated by a 150 ohm resistor network chip (position 4D). This chip can be removed for a daisy chain configuration, where only the last mini disk drive needs a termination network.

The BASF 6106/08 uses SN 7438 or equivalent as output driver. As input receiver SN 7404 or equivalent is used. Figure 3 - 5 shows the recommended interface logic.

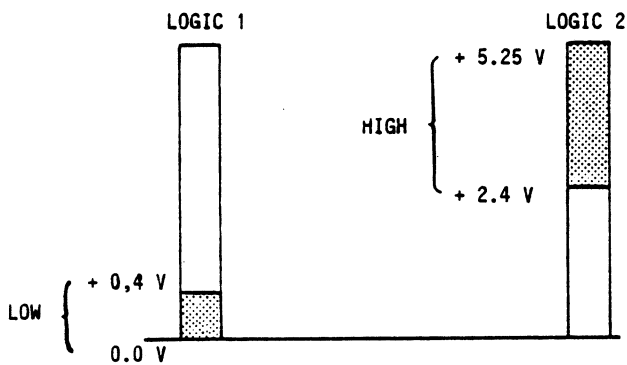


FIGURE 3 - 4 : INTERFACE LOGIC LEVELS

3.1.6. CONNECTING CONFIGURATION

The BASF 6106/6108 can be connected to the host system in different configurations :

- single drive configuration
- multi drive configuration

3.1.6.1. SINGLE DRIVE CONFIGURATION

Only one drive is connected to the host system as shown in figure 3 - 6.

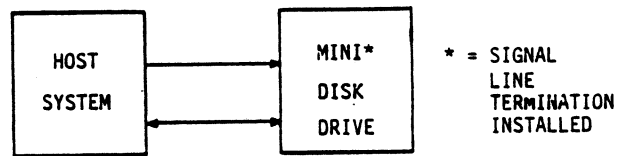


FIGURE 3 - 6 : SINGLE DRIVE CONFIGURATION

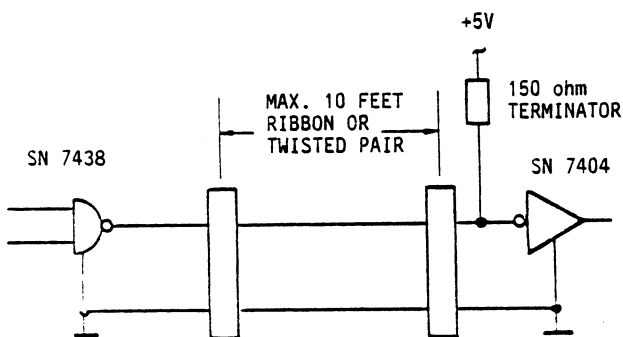
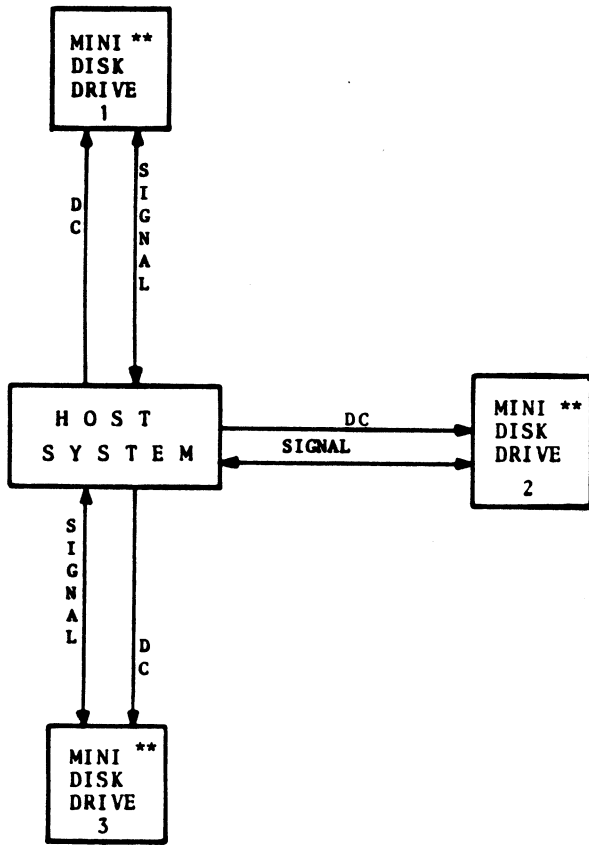


FIGURE 3 - 5 :
RECOMMENDED DRIVER / RECEIVER CIRCUIT

3.1.6.2. MULTIPLE DRIVE CONFIGURATION

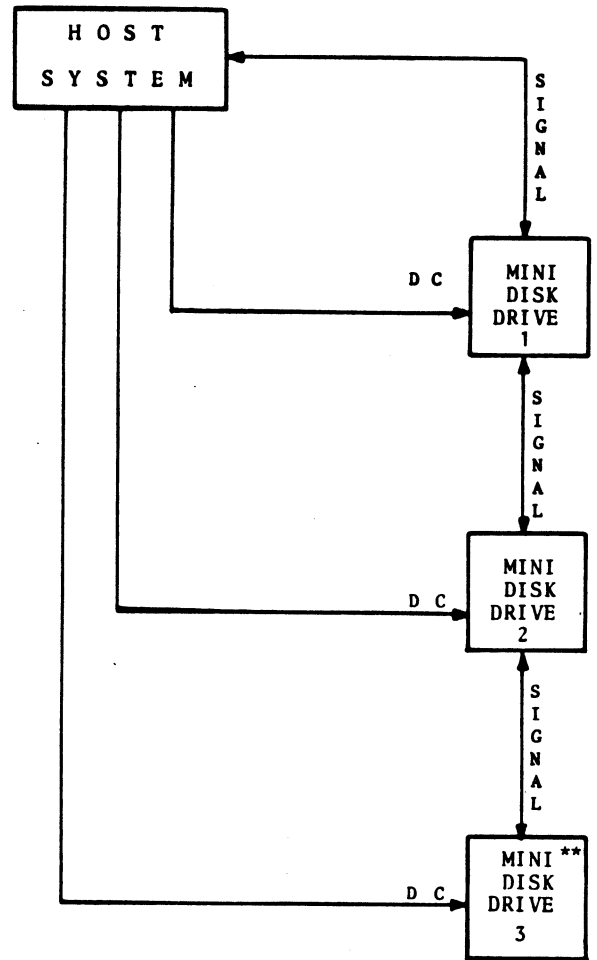
In multi drive configurations more than one drive is connected to the host system. In a multi drive configuration, the BASF 6106 can be connected in radial select or daisy chain fashion (see figures 3 - 7 and 3 - 8).

In a radial select configuration, all mini disk drives need terminator networks and in a daisy chain configuration, only the last drive needs a terminator chip.



** SIGNAL LINE TERMINATOR

FIGURE 3 - 7 : RADIAL SELECT CONFIGURATION



** SIGNAL LINE TERMINATOR

FIGURE 3 - 8 : DAISY CHAIN SELECT CONFIGURATION

3.1.7. SELECTION OF THE DESIRED OPTIONS

3.1.7.1. SELECT OPTIONS

In a single drive configuration, the auto select option will be used, in a multi drive configuration the radial select option must be used.

| OPTION \ JUMPER | | JJ 1 | | | 2 D | | |
|-----------------|-----------|------|-----|-----|-----|-------|-------|
| | | 1-2 | 3-4 | 5-6 | 3-4 | 13-14 | 15-16 |
| AUTO SELECT | | | | | X | | T |
| RADIAL | DRIVE #1 | X | | | | | T |
| | DRIVE #2 | | X | | | | T |
| SELECT | DRIVE #3 | | | X | | | T |
| | DRIVE #4* | | | | | X | C |

- X = jumper installed
- T = trace
- C = trace cut
- * = no ready signal available on interface pin 6

TABLE 3 - 3 : SELECT OPTIONS JUMPERING

3.1.7.2. HEAD LOAD OPTIONS

There are three head load options :

- AUTO HEAD LOAD
HEAD LOAD = SELECT
- SELECTED HEAD LOAD
HEAD LOAD = SELECT.HEAD LOAD
- RADIAL HEAD LOAD
HEAD LOAD = HEAD LOAD

| OPTION \ JUMPER | | 2 D | | | |
|--------------------|--|-------|-------|--------|---------|
| | | 5 - 6 | 7 - 8 | 9 - 10 | 11 - 12 |
| AUTO HEAD LOAD | | X | | X | |
| SELECTED HEAD LOAD | | X | | | X |
| RADIAL HEAD LOAD | | | X | | X |

TABLE 3 - 4 : HEAD LOAD OPTION JUMPERING

3.1.7.3. IN USE / DISK CHANGE OPTION

Pin 34 of the interface can be used as IN USE (INPUT) or DISK CHANGE (OUTPUT). Pin 4 of the interface can be used as IN USE INPUT (see table 3 - 5).

| OPTION \ JUMPER | 4 D | | |
|--------------------|--------|---------|---------|
| | 9 - 10 | 11 - 12 | 13 - 14 |
| IN USE PIN 34 | | | X |
| IN USE PIN 4 | X | | |
| DISK CHANGE OPTION | | X | |

TABLE 3 - 5 : IN USE / DISK CHANGE OPTION JUMPERING

3.1.7.4. DOOR LOCK OPTIONS

Locking of the door can be accomplished by the following conditions shown in table 3 - 6.

| OPTION \ JUMPER | | 5 D | | | | | | |
|-------------------------------|----------------------|-----|-----|-----|------|------|-------|-------|
| | | 3-4 | 5-6 | 7-8 | 9-10 | 9-11 | 11-12 | 13-14 |
| IN USE* | | | | X | | | X | X |
| D | IN USE-FF | | | | | X | | X |
| O | SELECT | X | | | | | | X |
| X | HEAD LOAD | | X | | | | | X |
| R | IN USE + IN USE-FF | | | | X | | X | X |
| IN USE + SELECT | | X | | X | | | X | |
| L | IN USE + HEAD LOAD | | X | X | | | X | |
| O | IN USE-FF + SELECT | X | | | | X | | |
| K | IN USE FF+ HEAD LOAD | | X | | | X | | |
| IN USE + IN USE-FF + SELECT | | X | | | X | | X | |
| IN USE + IN USE-FF+ HEAD LOAD | | | X | | X | | X | |

TABLE 3 - 6 : DOOR LOCK OPTIONS JUMPERING

3.1.7.5. ACTIVITY LED OPTIONS

The activity LED can be switched on by the following conditions shown in table 3 - 7.

| OPTION \ JUMPER | | 4 D | | | |
|-----------------|-------------------|-------|-------|-------|-------|
| | | 1 - 2 | 3 - 4 | 5 - 6 | 7 - 8 |
| ACTIVITY LED | HEAD LOAD . READY | X | | | X |
| | DOOR LOCK . READY | X | | X | |
| | HEAD LOAD | | X | | X |
| | DOOR LOCK | | X | X | |

TABLE 3 - 7 : ACTIVITY LED OPTION JUMPERING

3.1.7.7. STEPPER MOTOR SWITCHING

If the stepper motor shall be enabled by the MOTOR ON signal, the following jumper must be installed (see table 3 - 9).

| OPTION \ JUMPER | | 5 D |
|------------------------------|--|-------|
| | | 1 - 2 |
| STEP MOTOR ENABLE = MOTOR ON | | X |

TABLE 3 - 9 :
STEPPER MOTOR SWITCHING OPTION JUMPERING

3.1.7.6. WRITE PROTECT OPTION

The manner in which the mini disk is write protected can be selected by a jumper as shown in table 3 - 8.

| OPTION | 2 D |
|-------------------------------|-------|
| | 1 - 2 |
| WRITE PROTECT = NOTCH COVERED | X |
| WRITE PROTECT = NOTCH OPEN | |

TABLE 3 - 8 : WRITE PROTECT OPTION JUMPERING

3.1.7.8. HARD SECTOR OPTION

If sectored mini diskettes are used, hard sector option must be selected by the following jumpers (see table 3 - 10).

| OPTION \ JUMPER | | 3 D | |
|-----------------|----------|-------|-------|
| | | 5 - 6 | 7 - 8 |
| HARD SECTOR | inactive | T | |
| | active | C | T |

T = TRACE
C = TRACE CUT

TABLE 3 - 10 :
HARD SECTOR OPTION JUMPERING

3.1.7.9. JUMPER MATRIX

Table 3 - 11 provides a jumper matrix for all options. For selecting the desired jumpers provide the following :

- Select one of the SELECT options and install the jumpers ;
- Select one of the HEAD LOAD options and install the jumpers ;
- Select IN USE or DISK CHANGE option ;
- Select one of the DOOR LATCH options, if door locking or activity LED is used. Install the jumpers ;
- Select one of the activity LED options and install the jumpers ;
- Select one of the WRITE PROTECT options and install the jumpers ;
- Install the stepper motor switching jumper if desired ;
- Activate the HARD SECTOR option if desired.

For location of jumpers, refer to figure 3 - 9.

| OPTION | | JUMPER | | 1 J | | | 2 D | | | 3 D | | | 4 D | | | 5 D | | |
|----------------------|-----------------------|--------|---|-----|-----|-----|-----|-----|-----|-----|------|-------|-------|-----|-----|-----|-----|------|
| | | | | 1-2 | 3-4 | 5-6 | 1-2 | 3-4 | 5-6 | 7-8 | 9-10 | 11-12 | 13-14 | 1-2 | 3-4 | 5-6 | 7-8 | 9-10 |
| SELECT OPTIONS | AUTO SELECT | | | | X | | | | | | | | | | | | | |
| | DRIVE # 1 | X | | | | | | | | | | | | | | | | |
| | DRIVE # 2 | | X | | | | | | | | | | | | | | | |
| | DRIVE # 3 | | | X | | | | | | | | | | | | | | |
| | DRIVE # 4 | | | | | | | X | C | | | | | | | | | |
| HEAD LOAD OPTIONS | AUTO HEAD LOAD | | | | | X | | X | | | | | | | | | | |
| | SELECTED HEAD LOAD | | | | X | | | X | | | | | | | | | | |
| | RADIAL HEAD LOAD | | | | | | X | X | | | | | | | | | | |
| IN USE/ DISK CHANGE | IN USE = PIN 34 | | | | | | | | | | | | X | | | | | |
| | IN USE = PIN 4 | | | | | | | | | | | | | X | | | | |
| | DISK CHANGE = PIN 34 | | | | | | | | | | | | | | X | | | |
| DOOR LOCK OPTIONS | DOOR | | | | | | | | | | | | | | | | X | X |
| | IN USE | | | | | | | | | | | | | | | | | X |
| | IN USE-FF | | | | | | | | | | | | | | | | | X |
| | SELECT | | | | | | | | | | | | | | | | X | X |
| | HEAD LOAD | | | | | | | | | | | | | | | X | | X |
| | IN USE + IN USE FF | | | | | | | | | | | | | | | | X | X |
| | IN USE + SELECT | | | | | | | | | | | | | | X | X | | X |
| | IN USE + HEAD LOAD | | | | | | | | | | | | | | | X | X | |
| | IN USE FF + SELECT | | | | | | | | | | | | | | X | | | X |
| | IN USE FF + HEAD LOAD | | | | | | | | | | | | | | | X | | X |
| ACTIVITY LED OPTIONS | ACTIVITY LED | | | | | | | | | | | | | | | | | |
| | HEAD LOAD . READY | | | | | | | | | | X | | X | | | | | |
| | DOOR LOCK . READY | | | | | | | | | | X | | X | | | | | |
| | HEAD LOAD | | | | | | | | | | X | | X | | | | | |
| WRITE PROTECT OPTION | WRITE PROTECT | | | | X | | | | | | | | | | | | | |
| | NOTCH COVERED | | | | X | | | | | | | | | | | | | |
| STEPPER MOTOR | STEP.MOT.ENA | | | | | | | | | | | | | | | | | |
| | MOTOR ON | | | | | | | | | | | | | | | X | | |
| HARD SECTOR OPT. | HARD SECTOR ENABLED | | | | | | | | | | | | | | | | | |

TABLE 3 - 11 : OPTION JUMPER MATRIX

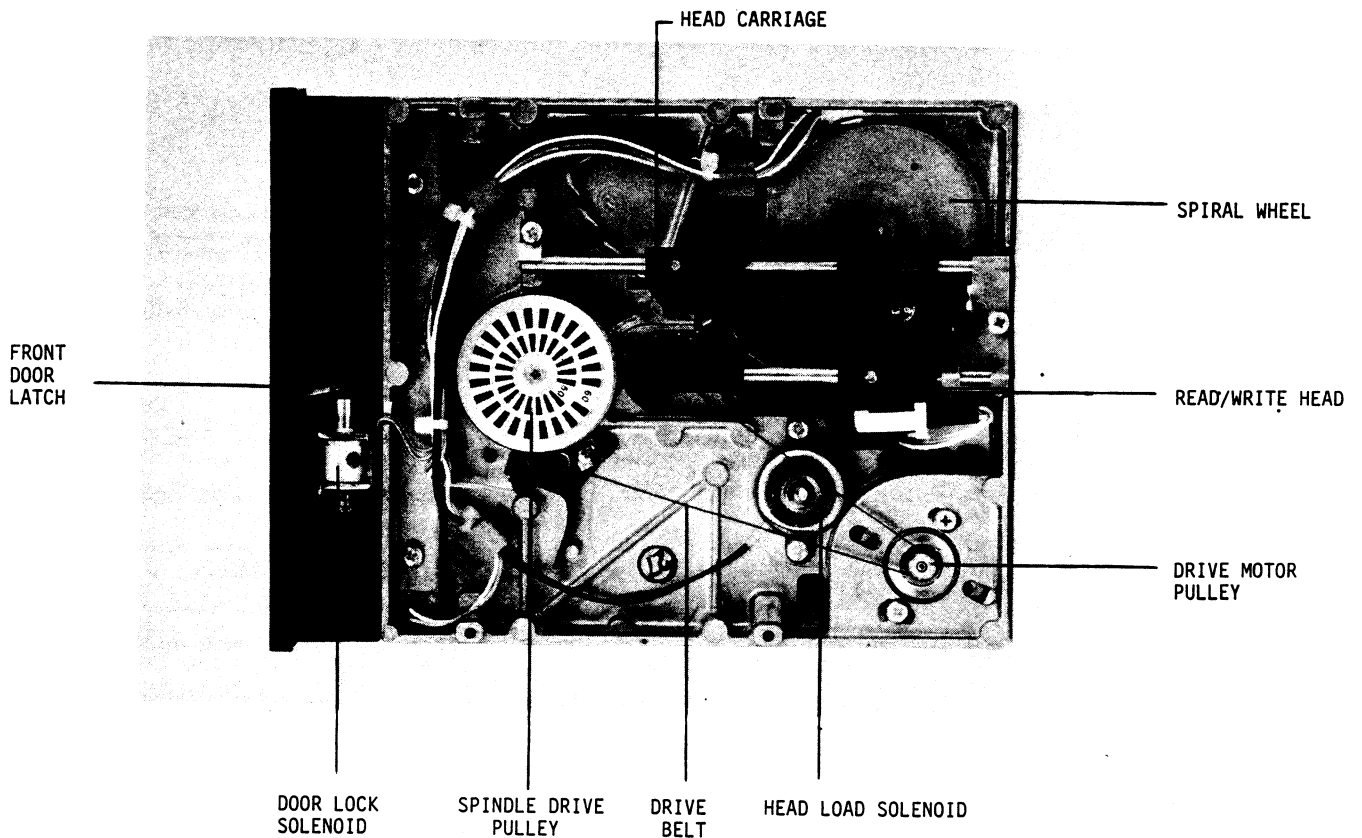
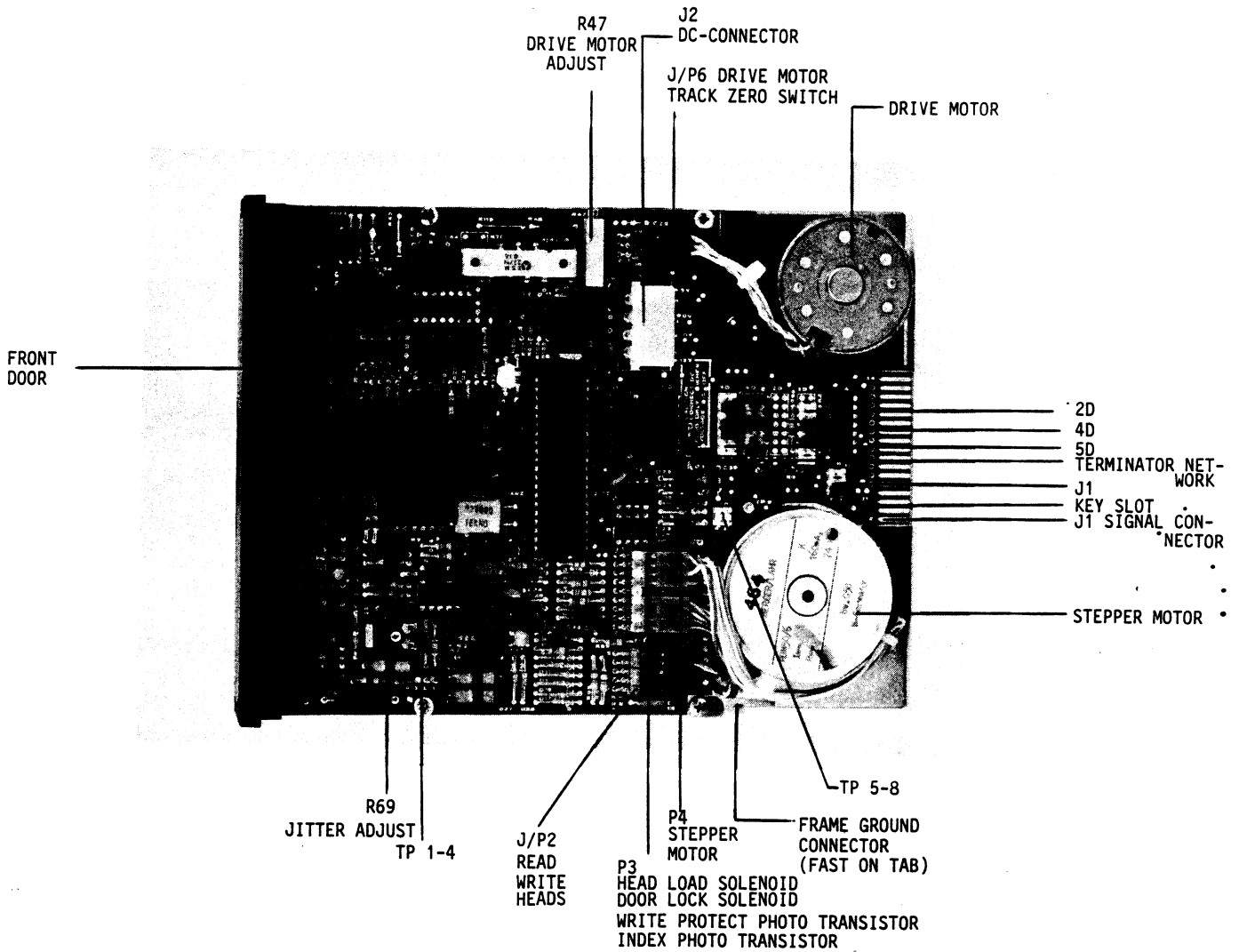


FIGURE 3 - 9 : PART LOCATIONS (PRINCIPAL)

3.1.8. DRIVE MOUNTING

3.1.8.2. MOUNTING DIMENSIONS

3.1.8.1. MOUNTING POSITIONS

Figure 3 - 10 shows the outline and mounting dimensions of the mini disk drive. For more detailed information, see specification of the BASF 6106/08 mini disk drives.

The mini disk drive may be mounted in any position.

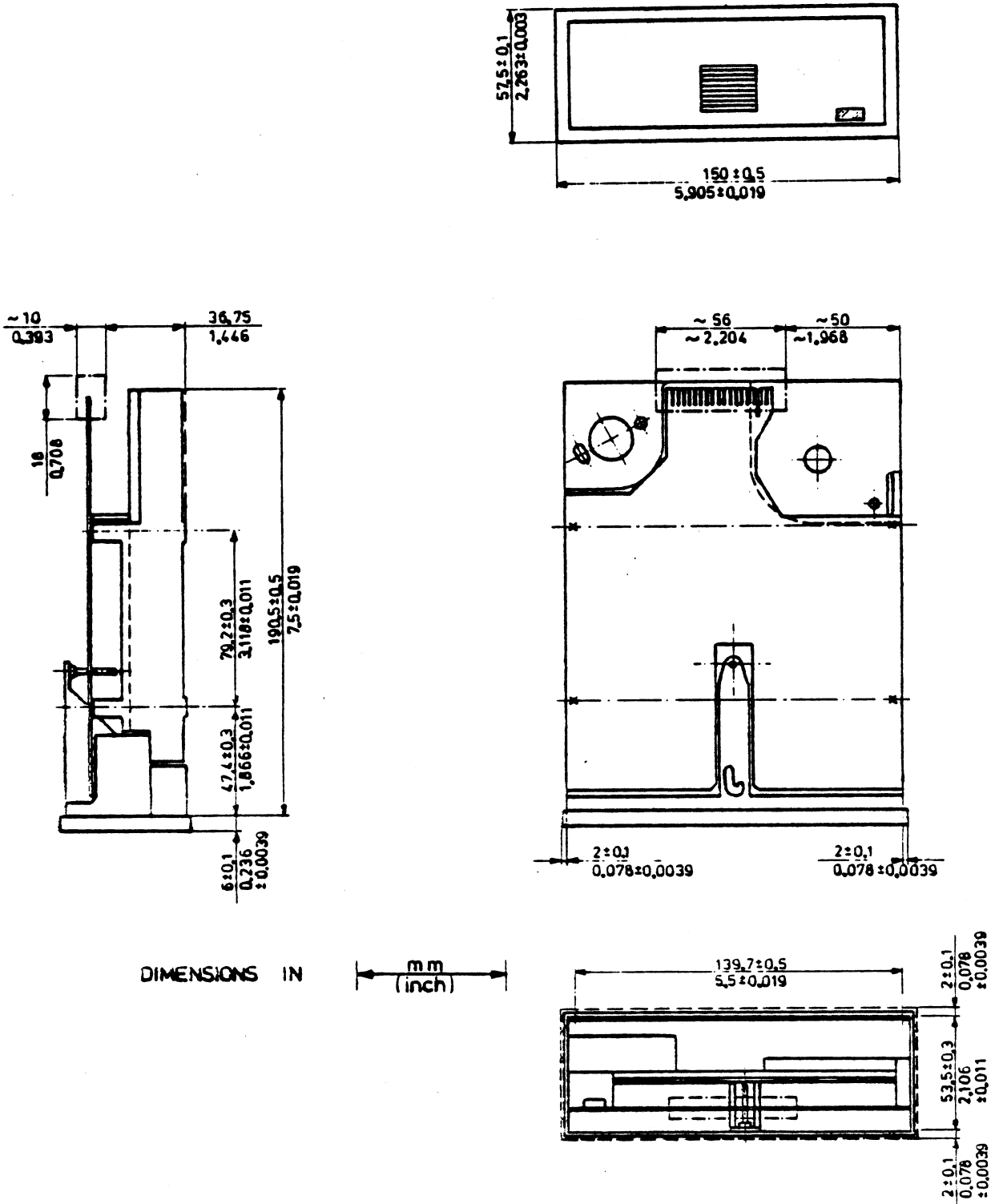


FIGURE 3 - 10 : MOUNTING SPECIFICATION

3.2. OPERATION

3.2.1. GENERAL

There are no front panel controls on the BASF 6106/6108. All power and control functions are handled through the interface. Operating procedures consist primarily of loading and unloading the mini disk.

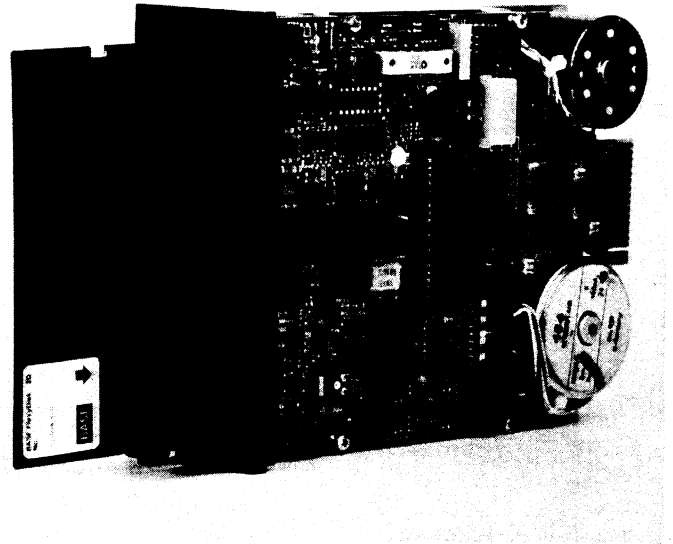
3.2.2. MINI DISK STORAGE AND HANDLING

The following are essential requirements for mini disk storage and handling :

- The mini disk should be stored in an environment that is clean and free from any magnetic influence;
- The mini disk should be in same temperature and humidity environment as the disk drive for a minimum of five minutes prior to use ;
- Return flexy disk to protective envelope when not in use ;
- Never place heavy objects on the mini disk cartridge ;
- Never touch the flexy disk through the cartridge opening when handling ;
- Never attempt to clean the flexy disk ;
- Do not bend or fold the flexy disk ;
- Do not use rubber bands or paper clips on the flexy disk ;
- Never write on cartridge (use labels) ;
- Do not expose flexy disk to excessive heat or sunlight.

Proper loading of the mini disk is vital to the operation of the mini disk and drive. Figure 3-11 shows the proper loading of the mini disk.

Procedures for loading and unloading the mini disk drive are given in tables 3 - 11 and 3 - 12, respectively.



Caution : insert fully before closing the front door !

FIGURE 3 - 11 : FLEXY DISK LOADING

| STEP | ACTION |
|------|---|
| 1 | Press front door and release to open |
| 2 | Insert Flexy Disk fully with label towards front door |
| 3 | Close front door |

TABLE 3 - 12 : FLEXY DISK LOADING

| STEP | ACTION |
|------|--------------------------------------|
| 1 | Press front door and release to open |
| 2 | Remove Flexy Disk |

TABLE 3 - 13 : FLEXY DISK UNLOADING

3.2.3. WRITE PROTECT

There are two methods used to protect a flexy disk from being written :

- a) write protect if notch open (optional)
- b) write protect if notch covered (ECMA)

3.2.3.1. WRITE PROTECT IF NOTCH OPEN (OPTIONAL)

Jumper : 2D (1-2) open

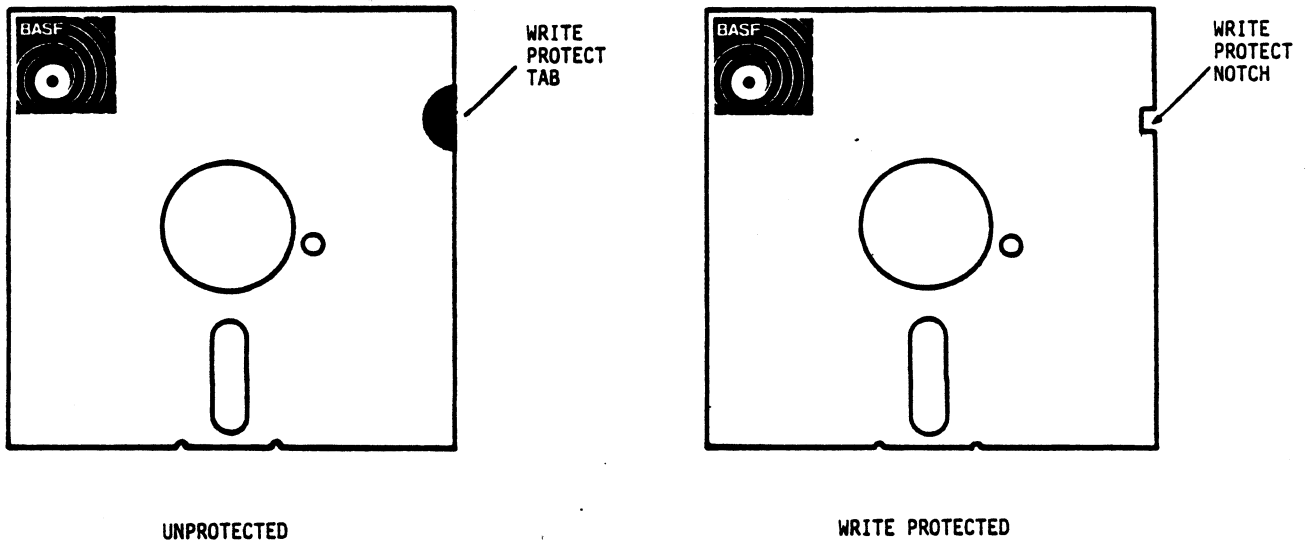


FIGURE 3 - 12 : WRITE PROTECT FEATURE (ECMA)

3.2.3.2. WRITE PROTECT IF NOTCH COVERED (ECMA)

Jumper : 2D (1-2)

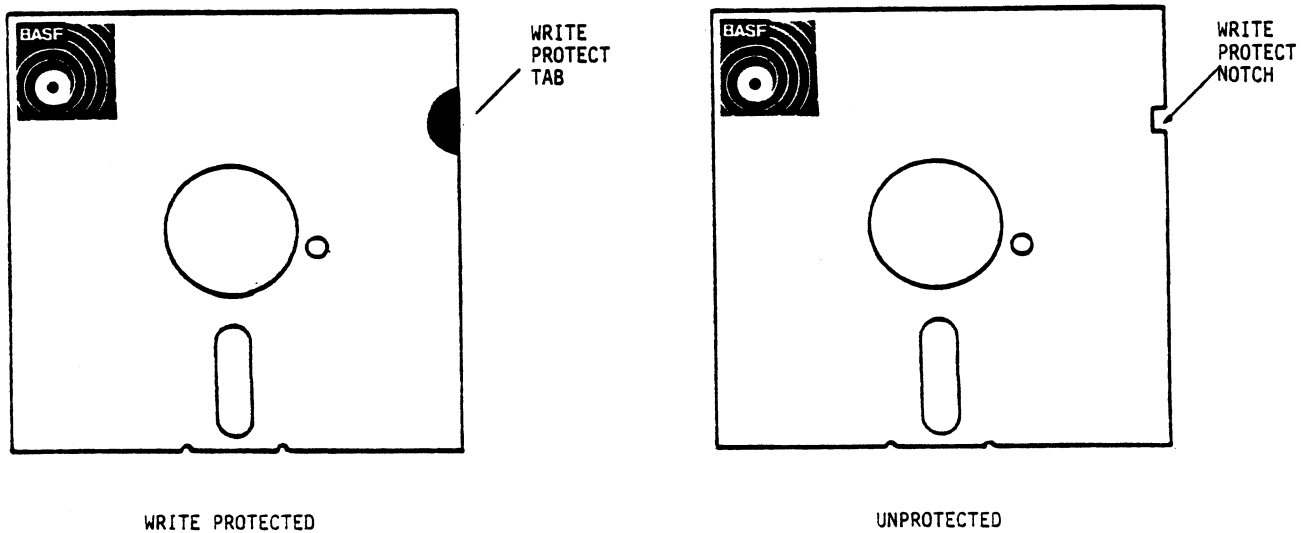
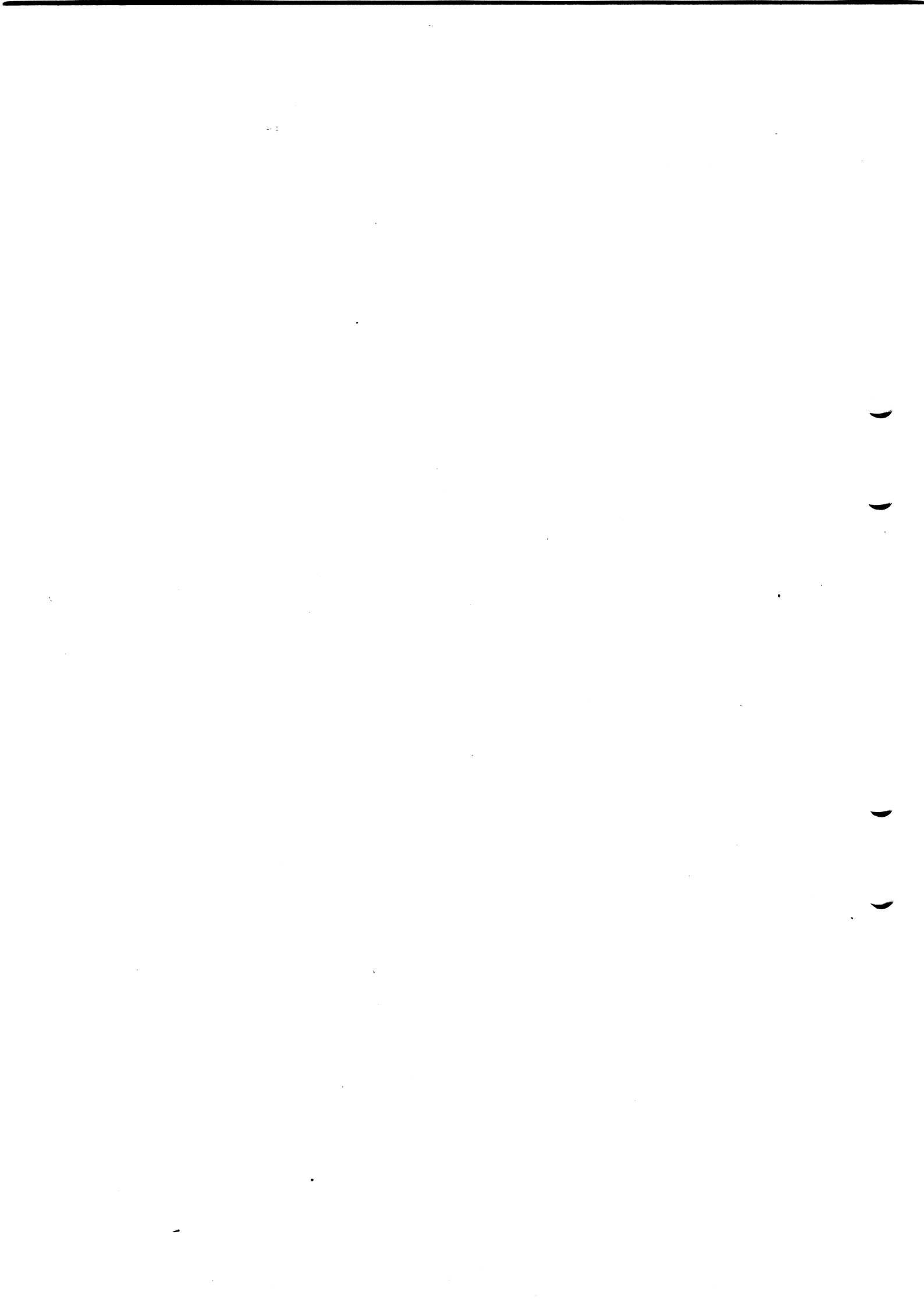


FIGURE 3 - 13 : WRITE PROTECT FEATURE (SHUGART)

**SECTION IV.
MAITENANCE**



4.1. GENERAL

This section contains the procedures for performing operational checks, alignments and adjustments for the BASF 6106 and BASF 6108 LSI mini disk drives.

4.2. TOOLS AND TEST EQUIPMENT

To perform proper maintenance of the mini disk drive, certain tools, test equipment and supplies are required. A list of standard tools and test equipment is provided in table 4 - 1. Special tools and test equipment are listed in table 4 - 2.

| |
|------------------------------|
| Common hand tools |
| Freon |
| Cotton tipped swabs (Q-tips) |
| Soft lint free cloth (gauze) |
| |
| Voltohmmer |
| Oscilloscope |
| Inspection Mirror |
| Frequency Counter |

TABLE 4 - 1 : STANDARD TOOLS AND TEST EQUIPMENT

The BASF 2007 exerciser is a portable unit to operate the mini disk drive off-line. The BASF 2007 will enable the user to make all adjustments and checks required on the BASF 6106 and BASF 6108 mini disk drives. The exerciser is provided with controls and indicators to execute all control operations and simulate and read and write operations.

| |
|--------------------------------|
| BASF - CE - Mini Disk |
| BASF - CLEANING Mini Disk |
| Exerciser BASF 2007 |
| Dial Gauge (Belt Tension Tool) |

TABLE 4 - 2 : SPECIAL TOOLS AND TEST EQUIPMENT

4.3. READ/WRITE HEADS CLEANING

- a. Read use instructions on the cover of the cleaning disk * ;
- b. Turn on drive motor ;
- c. Insert cleaning disk and clean head 0 ;
- d. Remove cleaning disk after recommended cleaning time ;

6108 only :

- e. Insert cleaning disk and clean head 1
- f. Remove cleaning disk after recommended cleaning time.

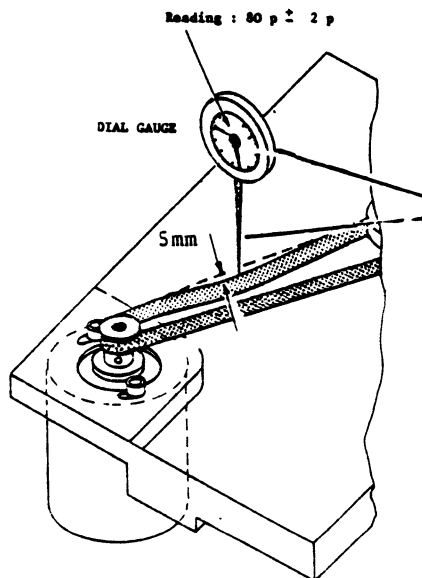
* CAUTION !

Observe the recommended cleaning times !

4.4. CHECKS, ADJUSTMENTS AND REPLACEMENTS

4.4.1. PCB REPLACEMENT

- a. Turn off DC voltages ;
- b. Remove P1, P2, P3, P4, P5, P6 ;
- c. Remove the 4 mounting screws ;
- d. To reinstall, reverse the above ;
- e. Check and readjust the index-detector ;
- f. Readjust the drive motor speed and jitter, if a new PCB was installed.



4.4.2. SPINDLE DRIVE SYSTEM

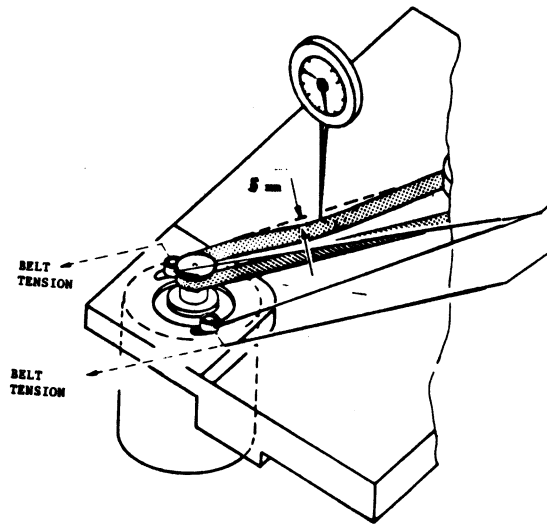
The spindle drive system consists of the drive motor, the drive motor pulley, the spindle drive belt and the spindle drive pulley.

4.4.2.1. DRIVE MOTOR AND DRIVE BELT CHECKS

- a. Turn off the DC input power ;
- b. Rotate drive motor manually and inspect drive belt from wear, cracks or fraying edges. Replace drive belt, if necessary ;
- c. Rotate motor manually and inspect for bearing noise or binding. Replace drive motor, if necessary (ref. to drive motor replacement procedure) ;
- d. Turn on DC power to mini disk drive ;
- e. Start drive motor (MOTOR ON/active) ;
- f. Verify that drive motor and drive belt operate normally and that drive belt tracks evenly and smoothly in center of both pulleys.

4.3.2.2. DRIVE BELT TENSION CHECK

- a. Take a dial gauge and press it against the drive belt until the deflection of the belt is 5 mm ;
- b. The reading on the gauge must be $\sim 80 \text{ p} \pm 5 \text{ p}$;
- c. If the measured value is out of limits, perform drive belt tension adjustment.

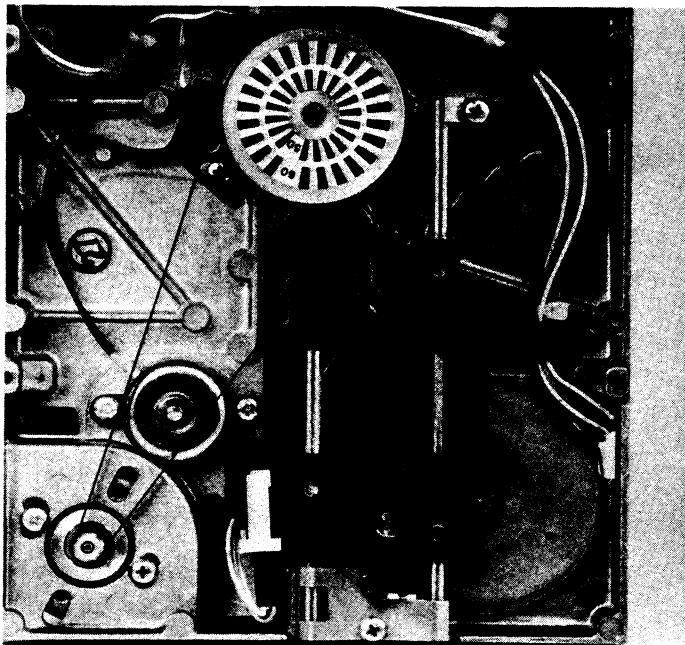


4.4.2.3. DRIVE BELT REPLACEMENT AND TENSION ADJUSTMENT

- a. Slightly loosen the drive motor screws ;
- b. Adjust the drive belt tension for a reading of 80 p +/- 5 p on the dial gauge, when the drive belt is 5 mm deflected ;
- c. Tighten the drive motor setscrews ;

4.4.2.4. DRIVE MOTOR SPEED CHECK

- a. Load a BASF CE-mini diskette ;
- b. Turn on drive motor ;
- c. Check that the dark lines of the tacho disk on the spindle pulley appear motionless. Use the inside ring for 50 Hz and the outside ring for 60 Hz *) ;



4.4.2.5. DRIVE MOTOR SPEED ADJUSTMENT

- a. Load a BASF CE-mini diskette ;
- b. Turn on drive motor ;
- c. Position to track 16 and load head ;
- d. Turn the potentiometer R 47 until the dark lines of the tacho disk on the spindle pulley appear motionless. Use the inside ring for 50 Hz and the outside ring for 60 Hz *).

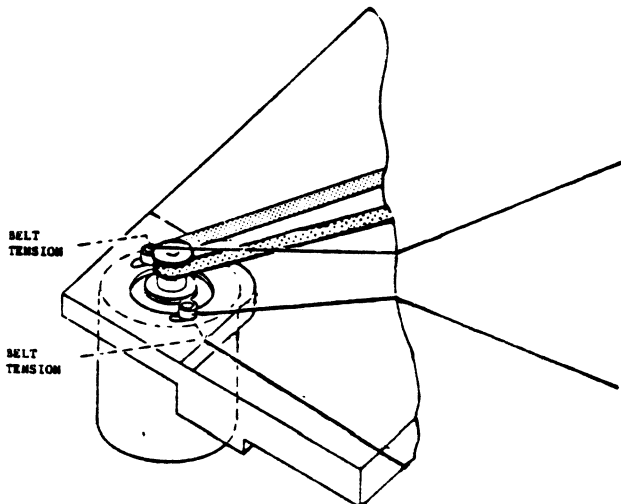
*) This adjustment is only possible in an area where fluorescent light exists. Otherwise, provide the adjustment or check as shown in 4.4.2.6.

4.4.2.6. DRIVE MOTOR SPEED ADJUSTMENT USING A FREQUENCY COUNTER

- a. Load a BASF CE-mini diskette ;
- b. Connect a frequency counter to TP8 (INDEX) ;
- c. Turn on the drive motor ;
- d. Position to track 16 and load head ;
- e. Measure time between two consecutive index pulses and adjust pot R 47 to 200 msec +/- 1 msec if necessary.

4.4.2.7. DRIVE MOTOR REPLACEMENT

- a. Remove mini disk drive from mounting and place it on a clean work surface ;
- b. Remove drive belt ;
- c. Remove wire 2 and 4 of P6 ;
- d. Remove the two drive motor set screws. Drive motor is now removed from disk drive ;
- e. Place new drive motor in same position and fasten it snugly. Tighten drive motor set screws ;
- f. Reinstall wires 2 and 6 of P6 ;
- g. Install drive belt and verify correct tracking ;
- h. Provide drive belt tension adjustment procedure (4.4.2.3.) ;
- i. Perform speed adjustment.

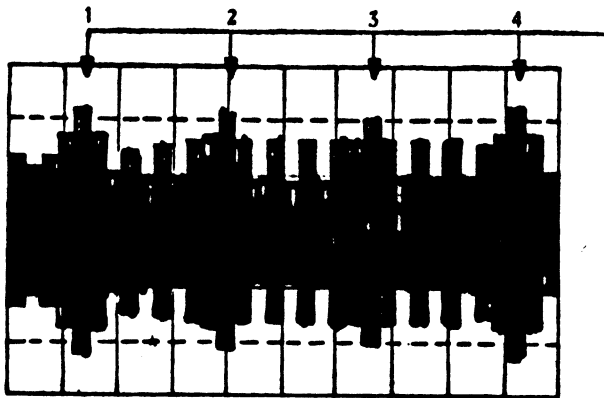


4.4.3. POSITIONING SYSTEM

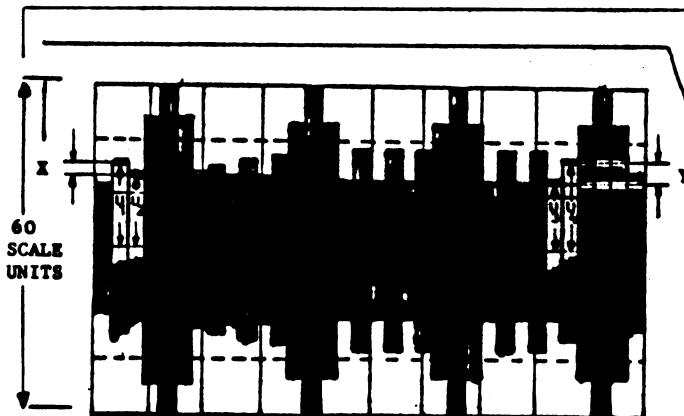
The positioning system consists of the stepper motor with spiral wheel, the head carriage assembly and the optical track 00 switch.

4.4.3.1. TRACK ADJUSTMENT CHECK

- a. Load a BASF-CE mini diskette ;
- b. Start the drive motor and select the mini disk drive ;
- c. Select head 0 ;
- d. Step to track 16 ;
- e. Measure with oscilloscope :
 - SYNC : EXT. POS. TP 8 INDEX
 - CH 1 : AC 50 mV uncalibrated inverted TP 1
 - CH 2 : AC 50 mV uncalibrated TP 2
 - MODE : ADD
 - TIME BASE: 10 ms/Div. uncalibrated
- f. Monitor the read signal on the screen and adjust the time base of the scope until four orientation bursts are shown ;



- g. Turn the variable gain potentiometer of the scope until the amplitude of the orientation burst reaches 60 scale units ;



- h. Determine X and Y (see example !) :
 - $X = U_1 - U_2$ Caution : pay attention to sign
 - $Y = U_3 - U_4$

- i. Calculate Z :
 - $Z = X + Y$

- j. If Z exceeds 18 scale units, proceed with point f of track adjustment procedure (4.4.3.2.). Continue for BASF 6108 (1 DIV = 10 SCALE UNITS) ;

- k. Select head 1 ;

- l. Proceed through point f to i for head 1 ;

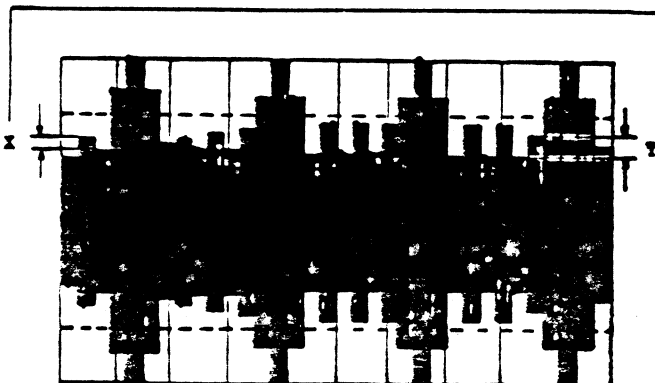
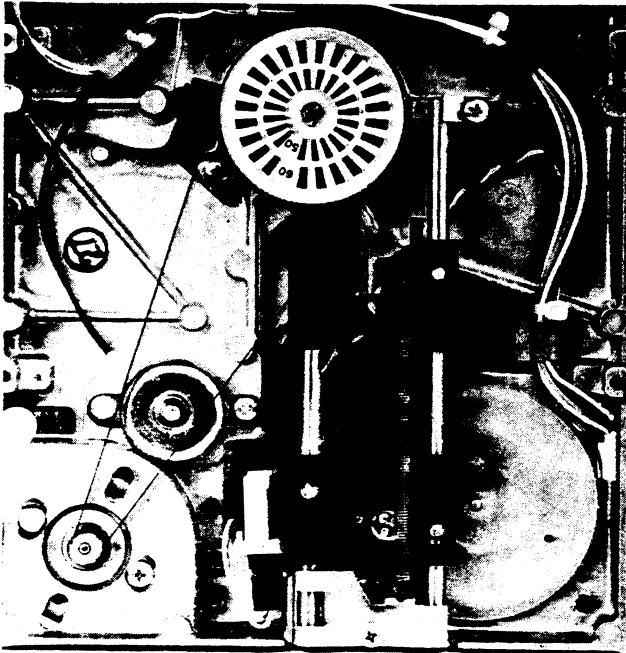
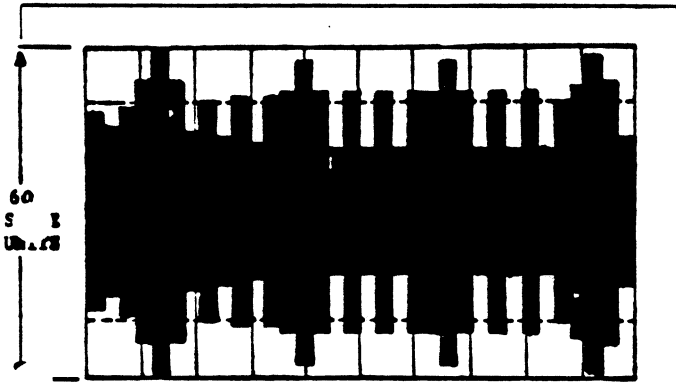
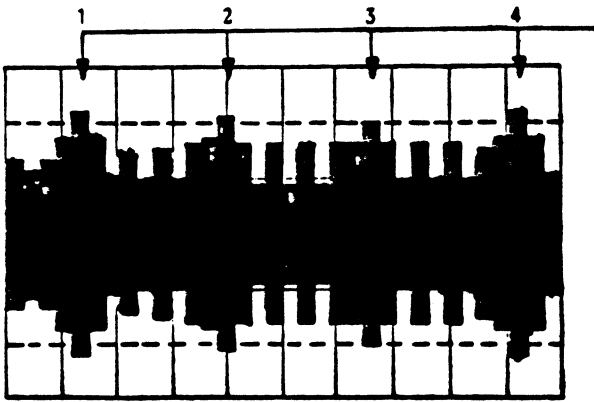
- m. If Z exceeds 18 scale units, proceed with point f of track adjustment procedure (4.4.3.2.). If Z is lower than 21 scale units, the track adjustment is o.k.

EXAMPLE:

$$X = U_1 - U_2 = + 2 \text{ scale units}$$

$$Y = U_3 - U_4 = - 4 \text{ scale units}$$

$$Z = X + Y = + 2 - 4 = - 2 \text{ scale units}$$



4.4.3.2. TRACK ADJUSTMENT PROCEDURE

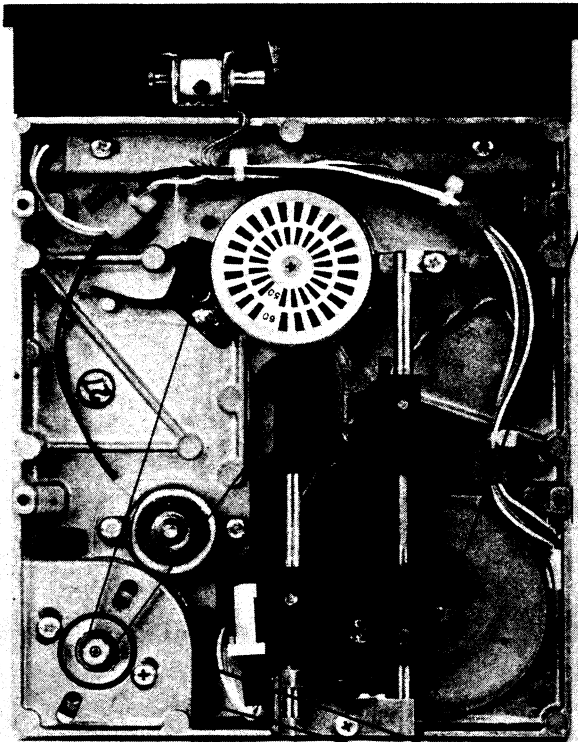
- a. Load a BASF CE-mini diskette ;
- b. Start the drive motor and select the mini disk drive ;
- c. Select head 0 ;
- d. Step to track 16 ;
- e. Measure with oscilloscope :
 - SYNC : EXT. POS. TP 8 INDEX
 - CH 1 : AC 100 mV uncalibrated inverted TP 1
 - CH 2 : AC 100 mV uncalibrated TP 2
 - MODE : ADD
 - TIME BASE : 10 msec/Div. uncalibrated
- f. Loosen the mounting screws of the stepper motor and rotate body of the stepper motor until the maximum amplitude of the orientation bursts is reached ;
- g. Monitor the read signal on the screen and adjust the time base of the scope until four orientation bursts are shown ;
- h. Turn the variable gain potentiometer until the amplitudes of the orientation bursts reach 60 scale units ;
- i. Rotate the body of the stepper motor until X and Y have the same value, but opposite sign, or both are zero ;
- j. Tighten the mounting screws of the stepper motor ;
- k. Recheck the adjustment. If X and Y exceed 4 scale units, readjust the stepper motor (pay attention to sign !) ;
- l. For BASF 6106, perform track zero switch adjustment check ;

For BASF 6108 :

- m. Select head 1 and begin with d. until f.
- n. Provide points g. and h. for head 1 ;
- o. Measure X + Y. It must be less than 4 scale units. Readjust, if necessary ;
- p. Check the adjustment from head 0, if X + Y is lower than 10 scale units ;
- q. Perform track zero switch adjustment check (4.3.3.3.).

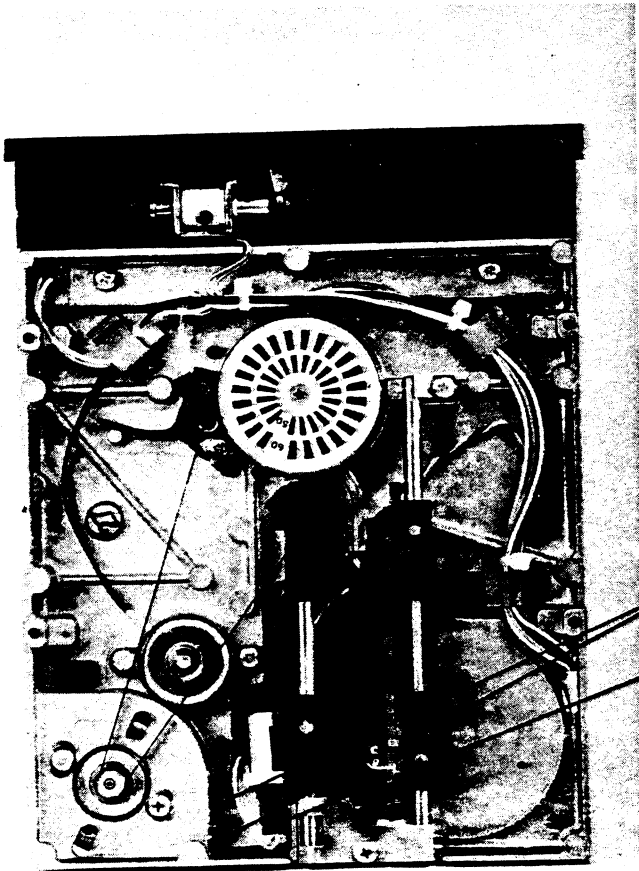
4.4.3.3. ADJUSTMENT CHECK FOR OPTICAL TRACK ZERO SWITCH

- a. Select mini disk drive and start drive motor ;
- b. Monitor TP 6 (TRACK ZERO SWITCH) :
 - SYNC : AUTO
 - CH 1 : 2 V/Div. TP 6)
 - MODE : CH 1 only
 - TIME BASE : 10 msec/Div.
- c. Step out to track 0 ;
- d. Check space between head carriage and outer stop for 2,5 mm.
If the space is not correct, provide track zero switch adjustment ;
- e. Check if track zero switch closes (TP 6 low) between track 3 and 2 when stepping towards track zero and opens (TP 6 high) between tracks 2 and 3 when stepping from track 0 to track 4. If the track zero switch will not change within these limits, provide track zero switch adjustment.



4.4.3.4. ADJUSTMENT FOR OPTICAL TRACK ZERO SWITCH

- a. Load BASF flexy disk ;
- b. Select mini disk drive and start drive motor ;
- c. Measure with oscilloscope :
 - SYNC : AUTO
 - CH 1 : 2 V/Div. ID-13 (track 00)
 - CH 2 : 2 V/Div. TP 6 (Track 0-switch)
 - MODE : chopped
 - TIME BASE: 10 msec/Div.
- d. Step the head carriage out until the head carriage touches the outer stop ;
- e. Step in until CH 1 goes high (normally one step in). Now the head carriage is positioned at track 0 ;
- f. Loosen the track 0 switch and adjust it that it will close (TP 6 : high → low) between tracks 3 and 2 when the head carriage is moved towards track 0 and will open (TP 6 : low → high) between tracks 2 and 3 when the head carriage is stepped from track 0 to track 4.

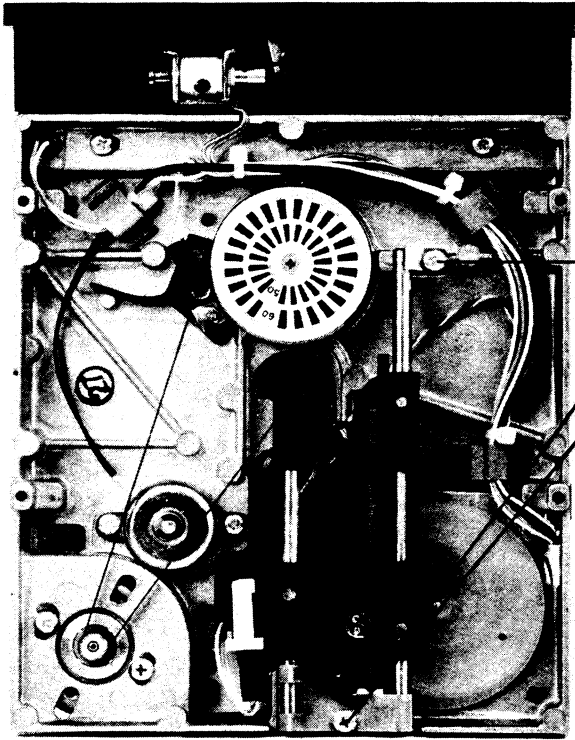


4.4.3.5. TRACK ZERO SWITCH REPLACEMENT

Optical track zero switch :

- a. Turn off all DC input power ;
- b. Remove PCB ;
- c. Remove holding screws of the track zero switch ;
- d. Disconnect the track zero switch ;
- e. Connect the new track zero switch ;
- f. Install the new track zero switch and the PCB ;
- g. Provide the track zero switch adjustment.

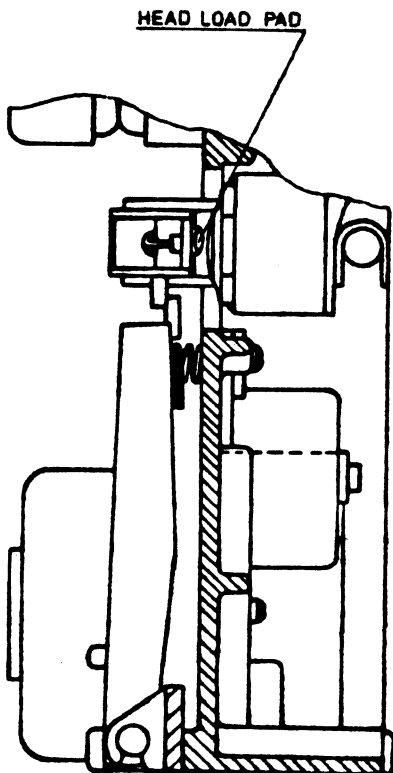
4.4.3.6. HEAD CARRIAGE REPLACEMENT



- a. Remove mini disk drive from mounting and place it on a clean working surface ;
- b. Disconnect P 2.1 (2.2) ;
- c. Disengage the spring ;
- d. Loosen the two holding screws and take out the carriage with the guide bars carefully ;
- e. Pull out the guide bars from the R/W head carriage ;
- f. To reinstall the new head carriage, reverse the above procedure ;

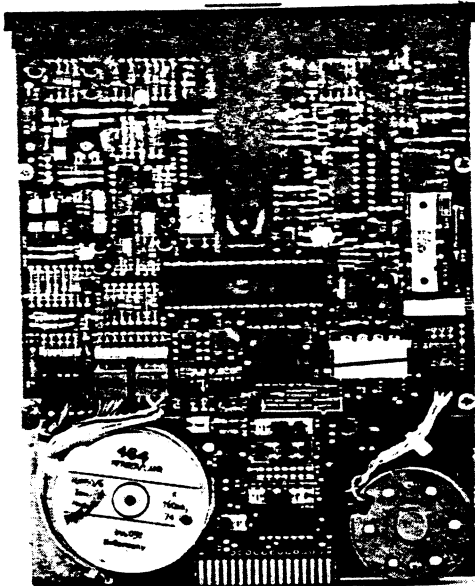
CAUTION : Handle spring carefully during reinstallation

- g. Provide the track adjustment accordingly (4.4.3.2.) ;
- h. Check the track zero switch adjustment (4.4.3.3.).



4.4.3.7. HEAD LOAD PAD REPLACEMENT (BASF 6106 ONLY !)

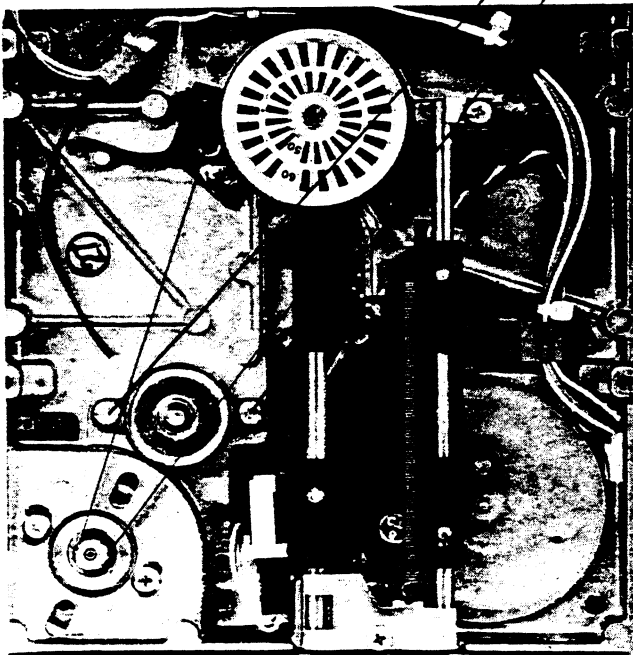
- a. Remove the PCB (4.3.1.) ;
- b. Remove the old head load pad ;
- c. Install the new head load pad ;
- d. Install the PCB ;
- e. Check the jitter adjustment (4.4.5.1.) ;
- f. Index adjustment.



4.4.4. HEAD LOAD MECHANISM

4.4.4.1. HEAD LOAD SOLENOID REPLACEMENT

- a. Remove mini disk drive from mounting and place it on a clean working surface ;
- b. Extract wires 1 and 3 from connector P3 ;
- c. Loosen the two holding screws and remove the head load solenoid ;
- d. To reinstall the head load solenoid, reverse the above ;
- e. Check the airgap between head load actuator and the pin on the head load pressure arm for 0.3 to 1 mm.

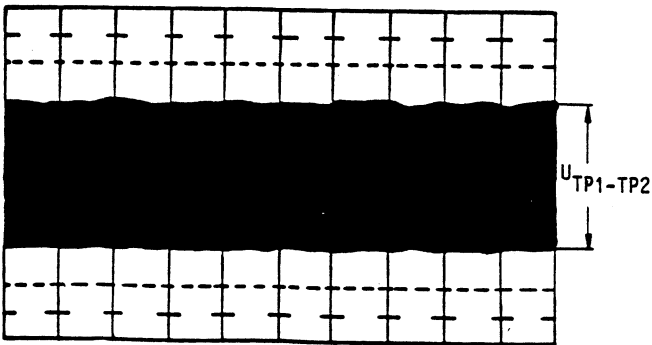
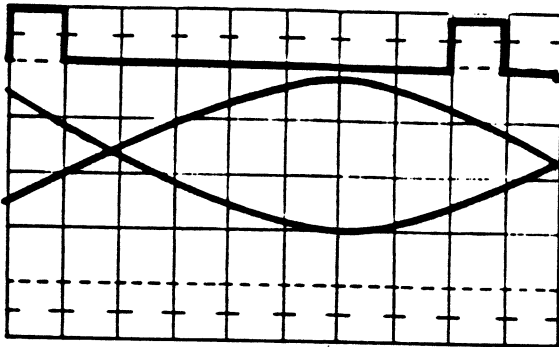
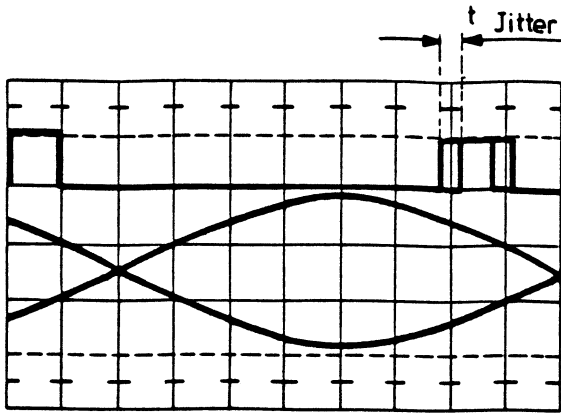


4.4.4.2. HEAD LOAD ACTUATOR CHECK

- a. Load the head ;
- b. The clearance between the head load actuator and the pin on the head load pressure arm should be between 0.3 mm and 1 mm.

4.4.5. READ/WRITE ELECTRONICS

4.4.5.1. JITTER CHECK AND ADJUSTMENT



- a. Load a BASF flexy disk ;
- b. Turn on drive motor ;
- c. Step to track 39 ;
- d. Write all FM-ZEROS (1F) for BASF 6106 (head 0), for BASF 6108 (head 0 and 1) ;
- e. Measure with oscilloscope :

| | | | |
|---------|-------------|------------|--------------|
| SYNC | : INT. | POS. | CH 1 |
| CH 1 | : DC | 2V/Div. | TP 5 READATA |
| CH 2 | : AC | 50 mV/Div. | TP 1 |
| TRIGGER | : Read data | | |
- f. Trigger oscilloscope, that the read data signal "cateyes" are displayed ;
- g. Measure jitter. If jitter of head 0 or head 1 (track 39, 1F) is ≥ 500 ns, adjust pot R 69 ;
 - for minimum jitter at BASF 6106
 - for best compromise between jitter of head 0 and head 1 for BASF 6108.

4.4.5.2. READ AMPLITUDE CHECK

- a. Load a BASF flexy disk ;
- b. Turn on drive motor ;
- c. Step to track 39 ;
- d. Select head 0 ;
- e. Write all "ones" ;
- f. Measure with oscilloscope :

| | |
|------------|-------------------------------|
| SYNC | : EXT. POS. TP 8 INDEX |
| CH 1 | : AC 50 mV/Div. inverted TP 1 |
| CH 2 | : AC 50 mV/Div. TP 2 |
| MODE | : ADD |
| TIME BASE: | 20 msec/Div. |
- g. Check the measured read voltage at TP 1-TP 2 for the following limits :

$$U_{TP1-2} \geq 70 \text{ mVpp}$$
 Continue for BASF 6108 !
- h. Select head 1 ;
- i. Write all "ones" ;
- j. Check the measured read voltage at TP1-TP2 for the following limits :

| | |
|--------|----------------------------------|
| head 0 | $U_{TP1-2} \geq 70 \text{ mVpp}$ |
| head 1 | $U_{TP1-2} \geq 70 \text{ mVpp}$ |

4.4.6. PHOTO TRANSISTORS AND LED'S

4.4.6.1. PHOTO TRANSISTOR REPLACEMENT

- a. Disconnect plug of defective photo transistor ;
- b. Remove photo transistor ;
- c. Insert new photo transistor ;
- d. Reconnect plug ;
- e. Check the function of the photo transistor ;
- f. Provide the index detector adjustment, if the index photo transistor has been changed.

4.4.6.2. LED REPLACEMENT

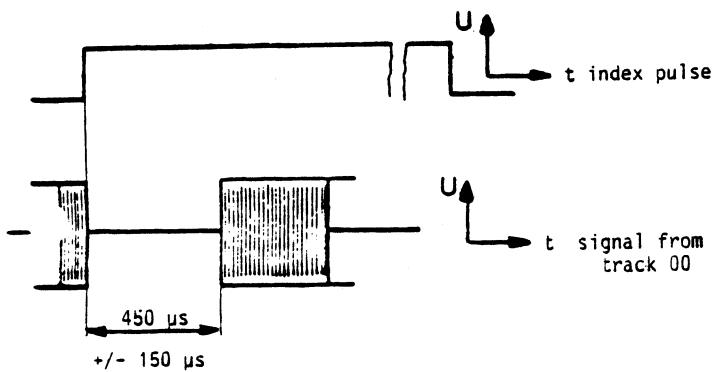
- a. Remove the LED from PCB board ;
- b. Put in the new LED ;
- c. Check the function of the LED ;
- d. Provide the index detector adjustment.

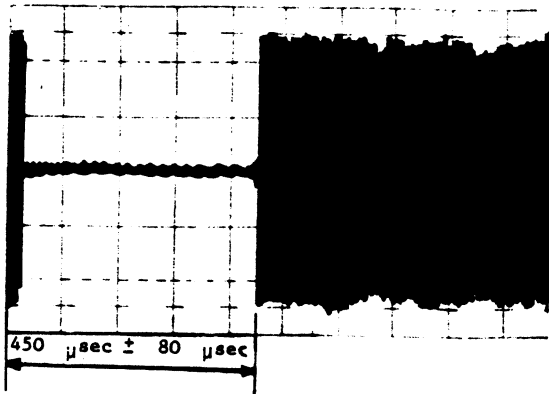
4.4.6.3. INDEX DETECTOR ADJUSTMENT CHECK

The tracks 00 are prewritten with 1F containing an index alignment gap at the beginning of track.

The index sensor is aligned properly when the beginning of the gap is time-coincident with the leading edge of index pulse (see figure to the left).

- a. Load a BASF CE-mini disk ;
- b. Select head 0 ;
- c. Start the drive motor and select the mini disk drive ;
- d. Step to track 0 ;
- e. Measure with oscilloscope :
 - SYNC : INT. POS. CH 1
 - CH 1 : DC 2V inverted TP 8 (index)
 - CH 2 : AC 100 mV TP 1 (read data)
 - TIME BASE: 100 μ sec/Div.
- f. Check the timing between start of the sweep and the data burst for 450 μ sec \pm 150 μ sec ;
- g. Provide the index detector adjustment (4.4.6.4.) if necessary.





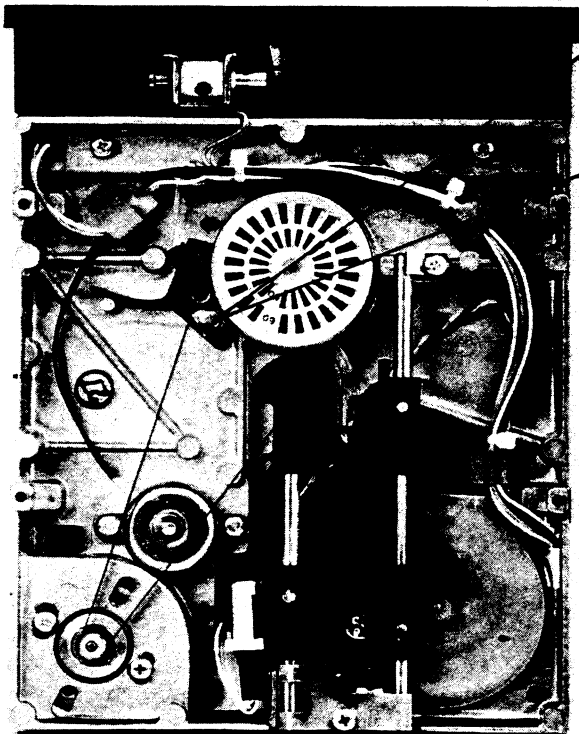
4.4.6.4. INDEX DETECTOR ADJUSTMENT

- a. Load a BASF CE flexy disk ;
- b. Start the drive motor and select the mini disk drive ;
- c. Step to track 0 ;

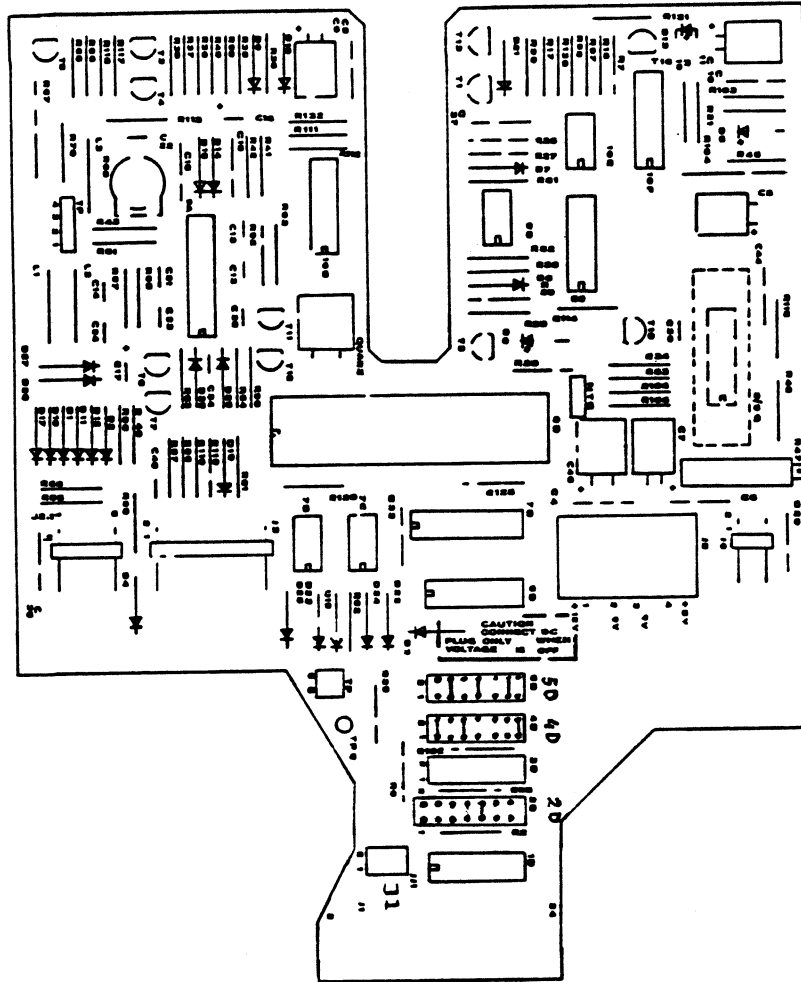
d. Measure with oscilloscope :

SYNC : EXT.POS. TP8 INDEX
 CH 1 : AC 50 mV inverted TP 1
 CH 2 : AC 50 mV
 MODE : 100 μsec/div.
 TIME BASE : 100 μsec/div.

- e. Loosen the set screw of the index holder ;
- f. Adjust the time delay between start of the sweep and the data burst to 450 μsec +/- 80 μsec ;
- g. Tighten the index holder set screw.



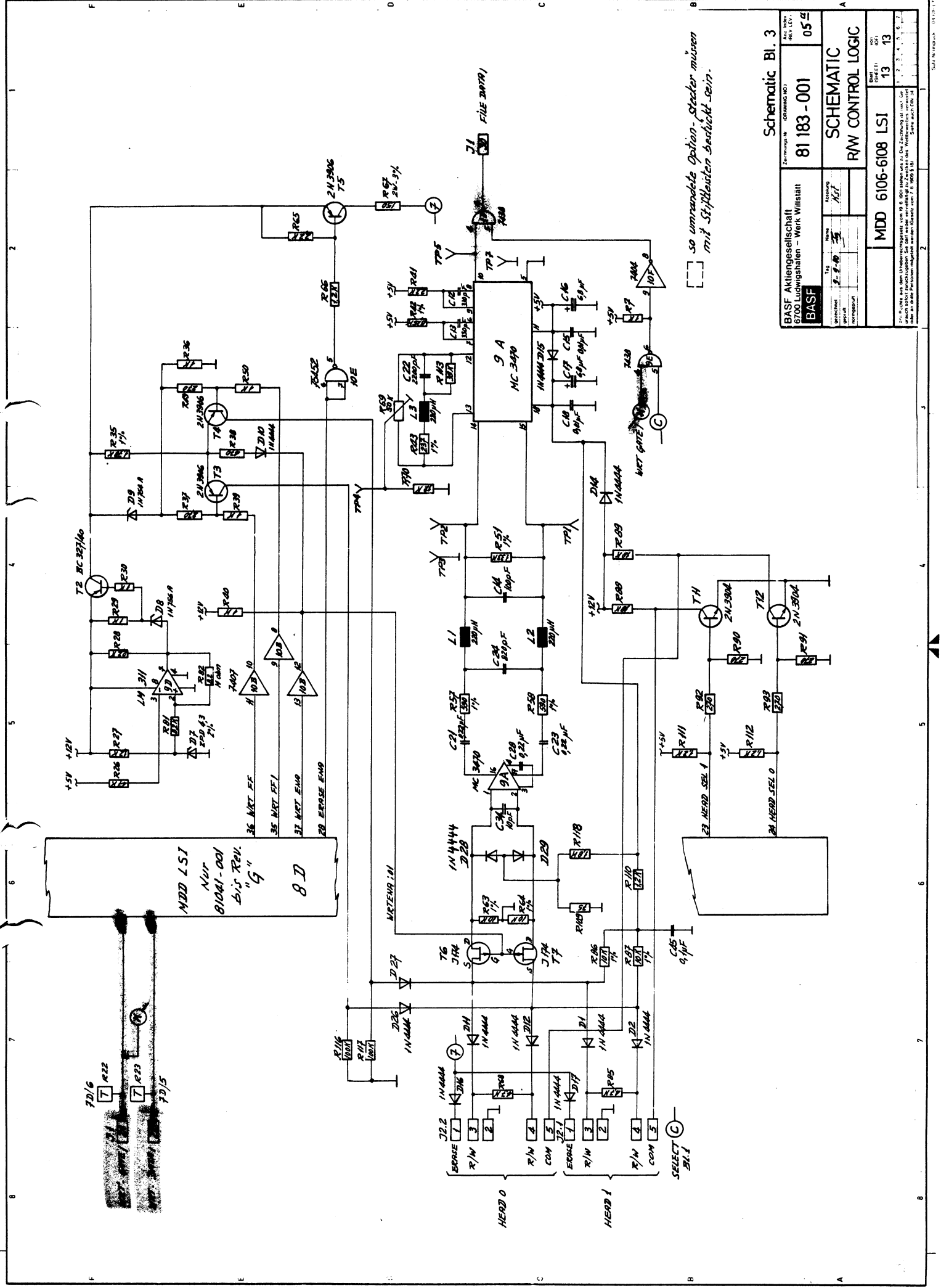
4.5. LOCATION OF TESTPOINTS, IC's, POTENTIOMETERS AND CONNECTORS



| POTI | FUNCTION |
|------|--------------------|
| P 47 | Drive motor adjust |
| R 69 | Jitter adjust |

| CONNECTOR | FUNCTION | |
|-----------|----------------------|-------------------------------|
| J 1 | Signal - Interface | |
| J 2 | Read/write - head(s) | |
| J 3 | 1, 3 | Head load solenoid |
| | 2, 4 | Door lock solenoid |
| | 5, 6 | Write protect phototransistor |
| | 7, 8 | Index phototransistor |
| | 11, 18 | Stepper motor |
| J 5 | DC - connector | |
| J 6 | 2, 4 | Drive motor |
| | 3,5,6,7 | Track zero optical switch |

| TEST POINTS | SIGNAL |
|-------------|------------------------------------|
| TP 1, 2 | Read signal (differentiator input) |
| TP 3 | GND |
| TP 4 | Jitter voltage |
| TP 5 | Read data |
| TP 6 | GND |
| TP 7 | GND |
| TP 8 | Index |
| TP 9 | GND |



so umrandelte Option-Stecker müssen mit Stiftleitern bestückt sein.

| | | | |
|------------------------------|--|--------------|--|
| Zuordnung Nr. (Drawing No.) | | 81 183 - 001 | |
| Zustellung Nr. (Drawing No.) | | 05 | |
| SCHEMATIC | | | |
| RW CONTROL LOGIC | | | |
| MDD 6106-6108 LSI | | 13 13 | |

Schematic Bl. 3

BASF Aktiengesellschaft
6700 Ludwigshafen - Werk Willstätt

Name:
 Abteilung:
 Zeichner:
 Geprüft:
 Freigegeben:

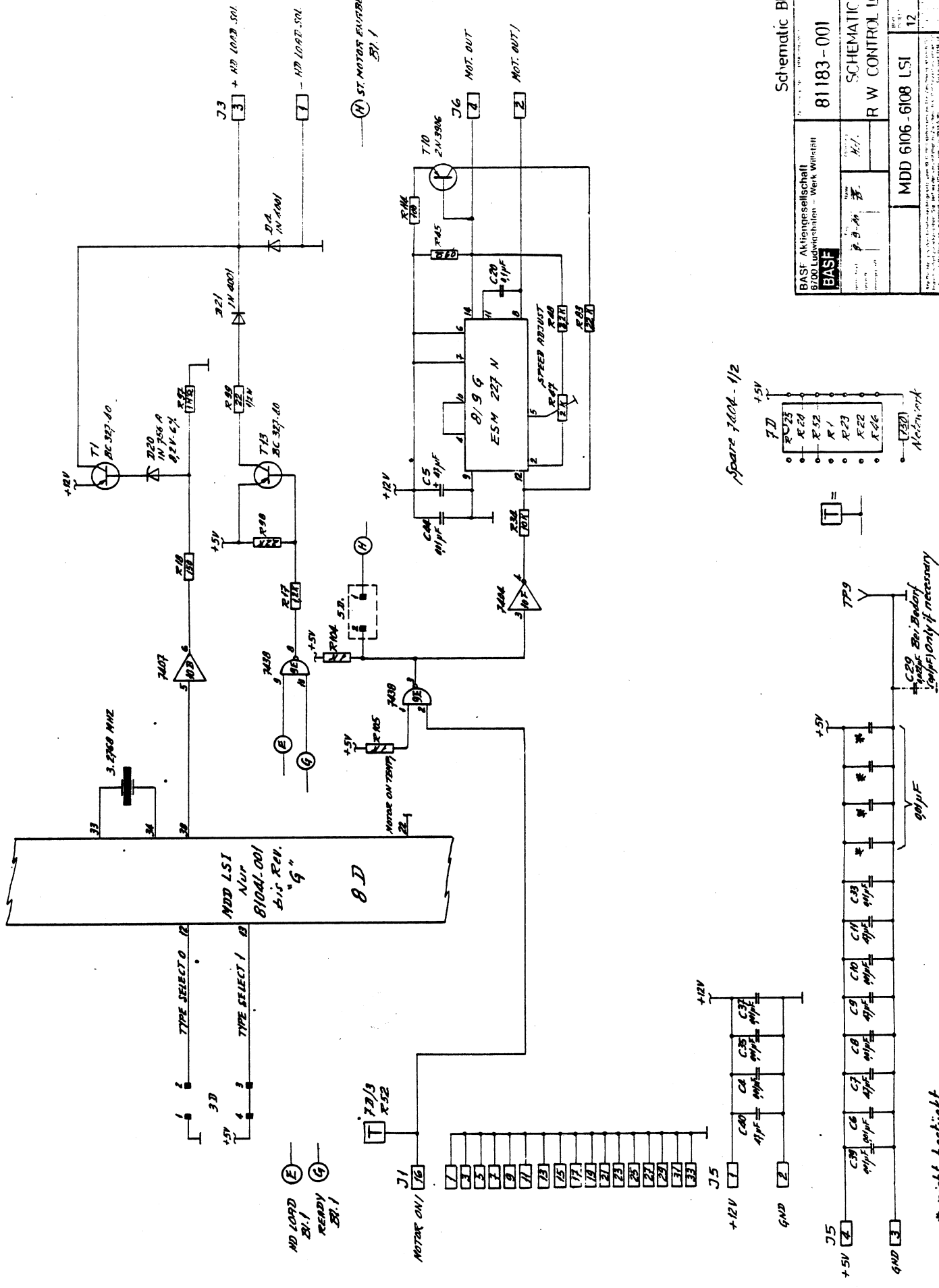
2. Die Haftung für den Inhalt dieser Zeichnung liegt bei der Abfertigung. Die Zeichnung ist nur für den Zweck der Ausführung zu verwenden. Sie darf nicht für andere Zwecke oder in anderer Weise weitergegeben werden.

1

1

1

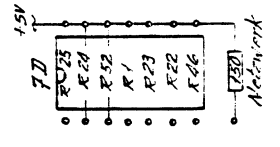
1



Schematic Bl. 2

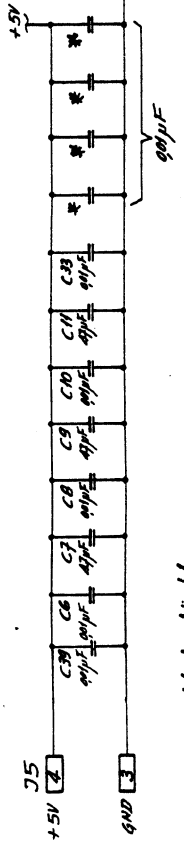
| | | |
|--|------------|----|
| BASF Aktiengesellschaft 6100 Ludwigshafen - Werk Wilstätt | 81183-001 | 05 |
| BASE | SCHWEMM | |
| NAME: P. B. M. | PROJ. N. 1 | |
| MDD 6106-6108 LSI | 12 | 13 |
| R W CONTROL LOGIC | | |

Spare 7401-1/2

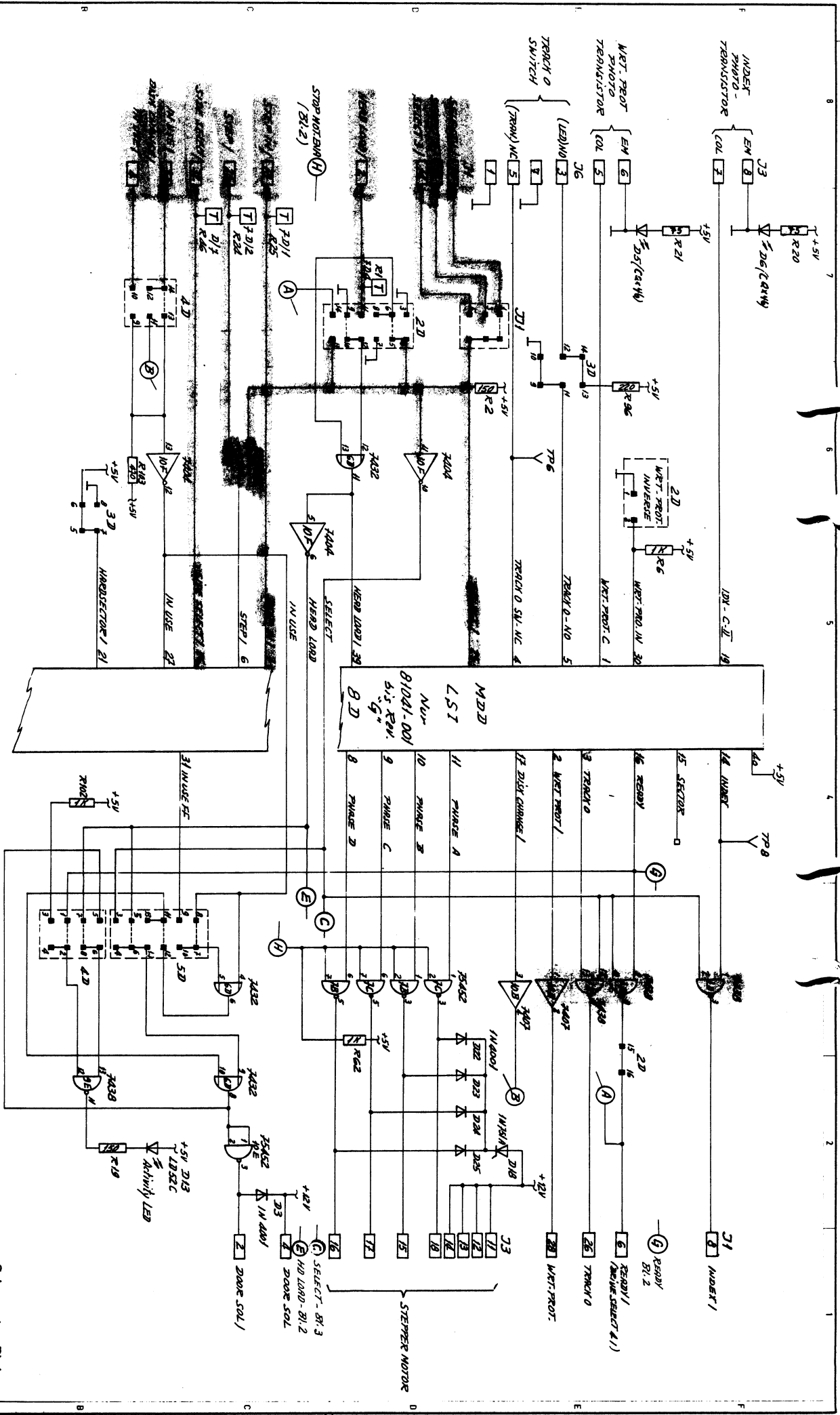


T =

C29
gauge Rev. Bedarf
Schnaps Only if necessary



* nicht bestückt



Schematic B1.1

| | | | | |
|--|--|--|--|---------------|
| BASF Aktiengesellschaft 6700 Ludwigshafen - Werk Willstätt BASF | | Zeichnung Nr. 6140000-001 81 183 - 001 | | Blatt Nr. 059 |
| MDD 6106-6108 LSI | | SCHEMATIC R/W CONTROL LOGIC | | Blatt 13 |
| <small>Alle Rechte an dem Urheberrechtsschutz nach § 9 Abs. 1 Nr. 1 S. 1 des Urheberrechtsgesetzes von 1965 sind vorbehalten. Die Nachdruck, Verbreitung und öffentliche Zugänglichmachung ist ohne schriftliche Genehmigung der BASF Aktiengesellschaft ausdrücklich untersagt. Die Weitergabe an Dritte ist ebenfalls untersagt. Die Haftung für Schäden jeglicher Art ist ausgeschlossen.</small> | | | | |